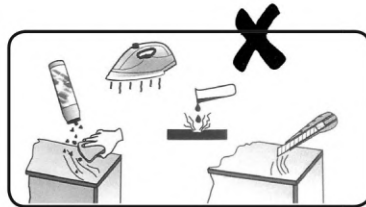
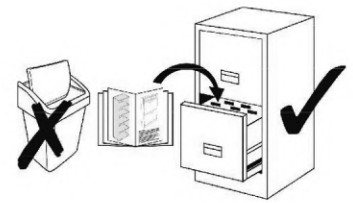
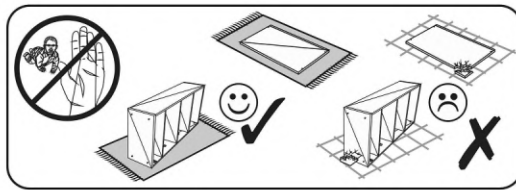


# SURF / WAVE - KOMODA 4D

SURF/WAVE KOMODA 4D - 31032023

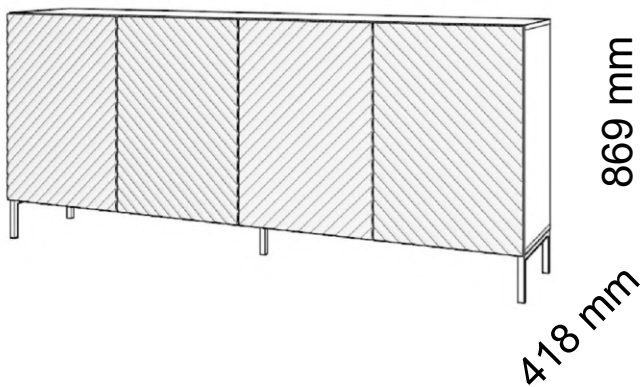


120 min



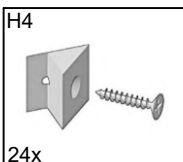
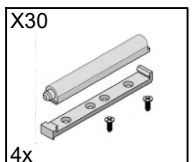
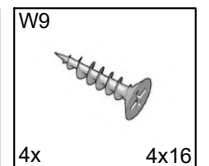
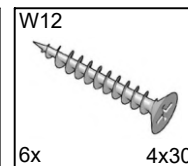
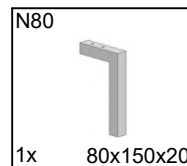
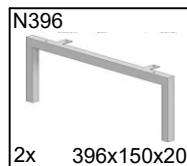
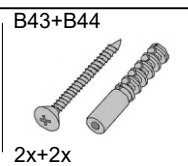
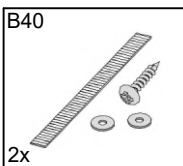
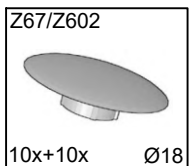
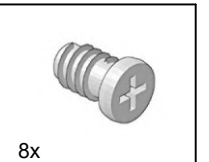
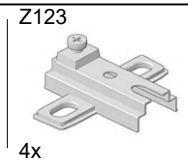
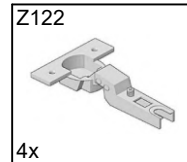
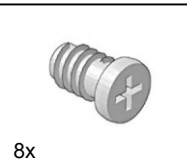
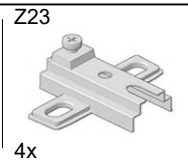
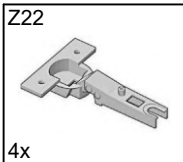
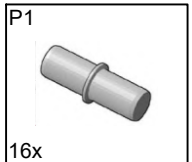
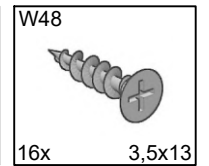
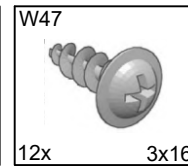
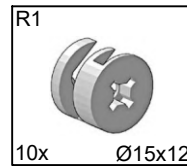
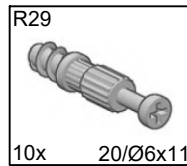
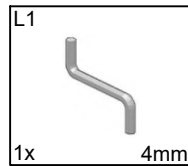
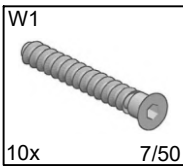
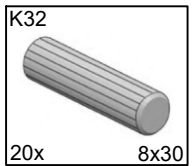
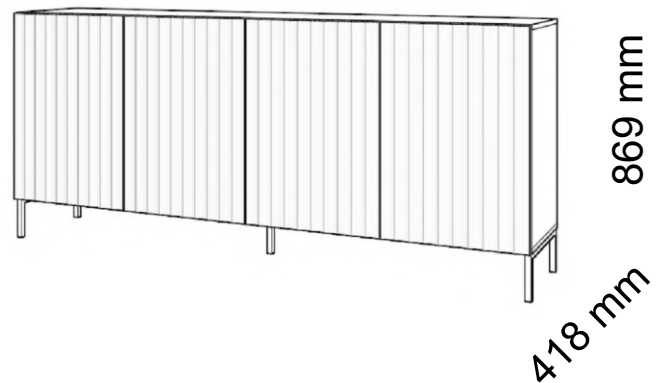
VER 1.

1996 mm



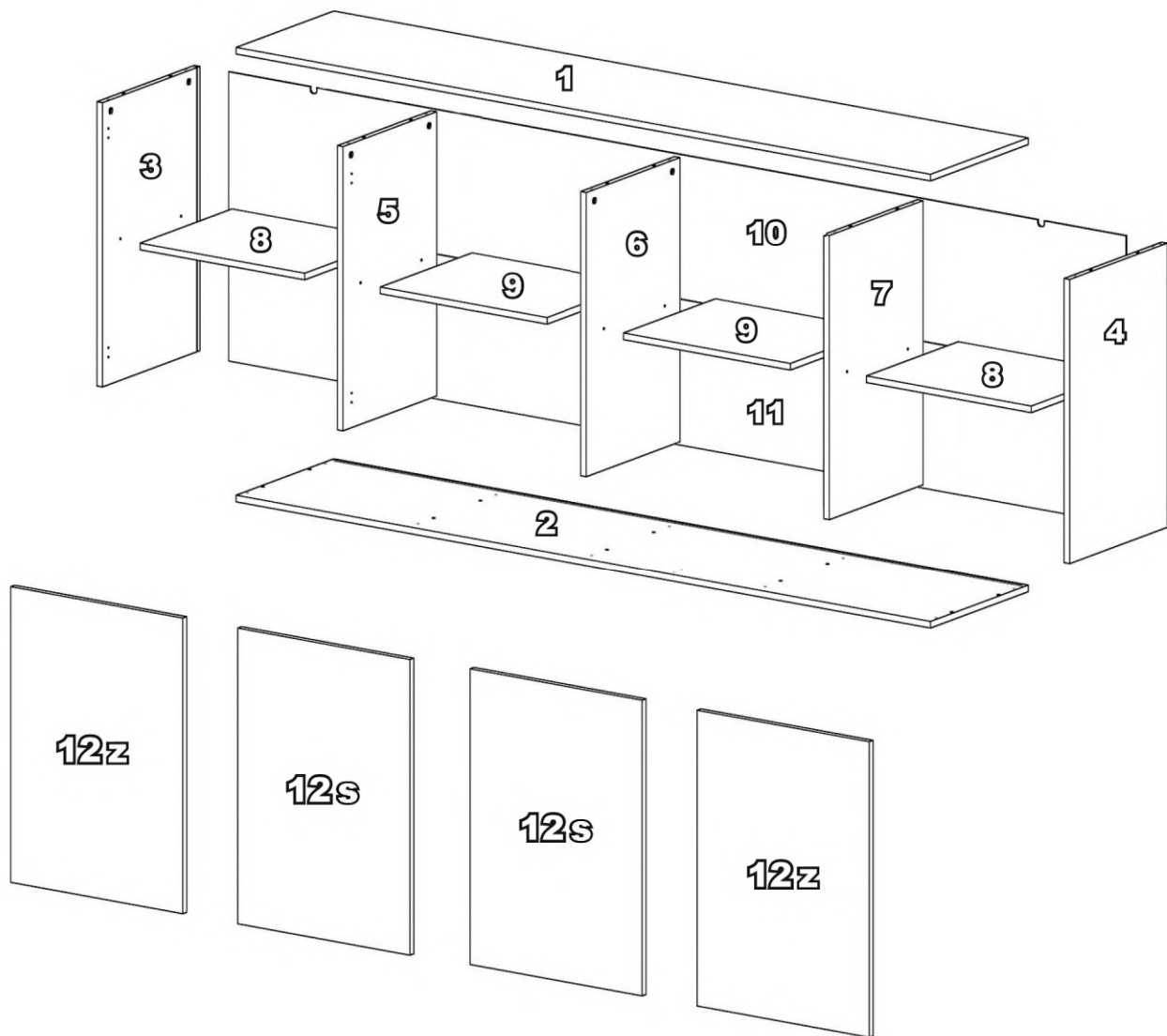
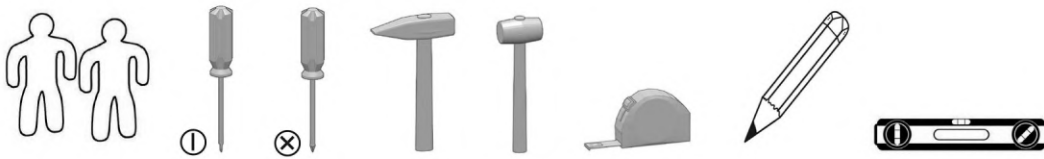
VER 2.

1996 mm



# SURF / WAVE - KOMODA 4D

SURF/WAVE KOMODA 4D - 31032023



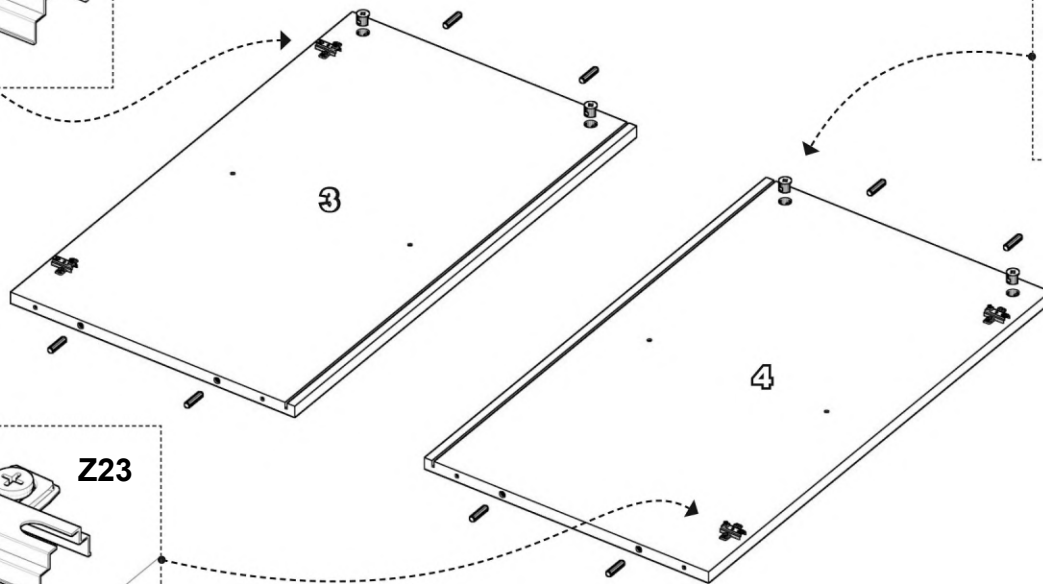
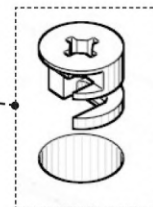
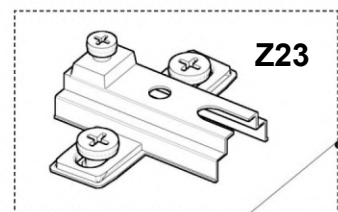
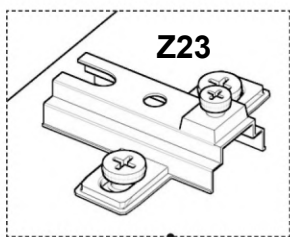
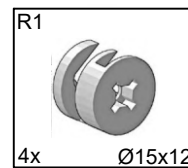
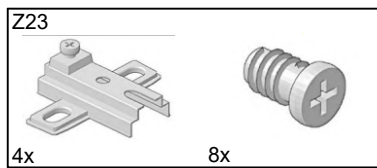
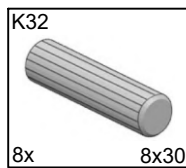
REP	DIM	QTE	package
1	1996 x 400 x 16	1	1/2
2	1996 x 400 x 16	1	1/2
3	687 x 400 x 16	1	2/2
4	687 x 400 x 16	1	2/2
5	687 x 380 x 16	1	2/2
6	687 x 380 x 16	1	2/2

REP	DIM	QTE	package
7	687 x 380 x 16	1	2/2
8	474 x 375 x 16	2	2/2
9	483 x 375 x 16	2	2/2
10	1976 x 350 x 3,2	1	1/2
11	1976 x 350 x 3,2	1	1/2
12	720 x 495 x 18	4	fronty

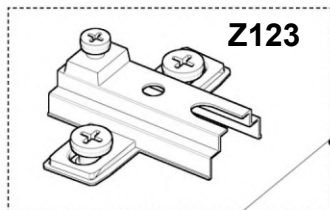
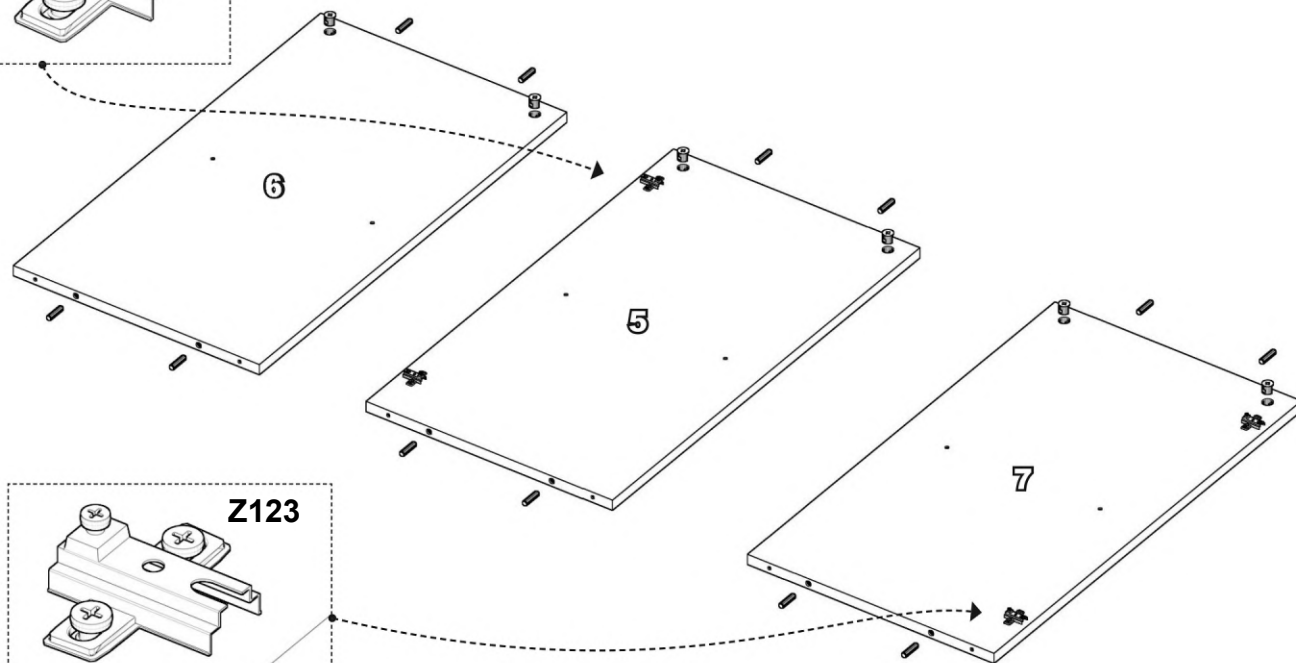
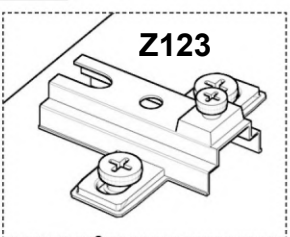
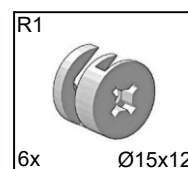
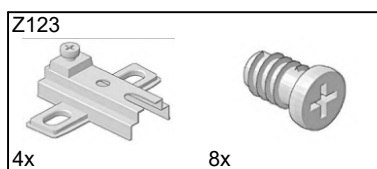
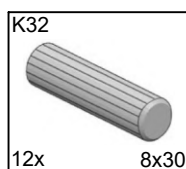
# SURF / WAVE - KOMODA 4D

SURF/WAVE KOMODA 4D - 31032023

1



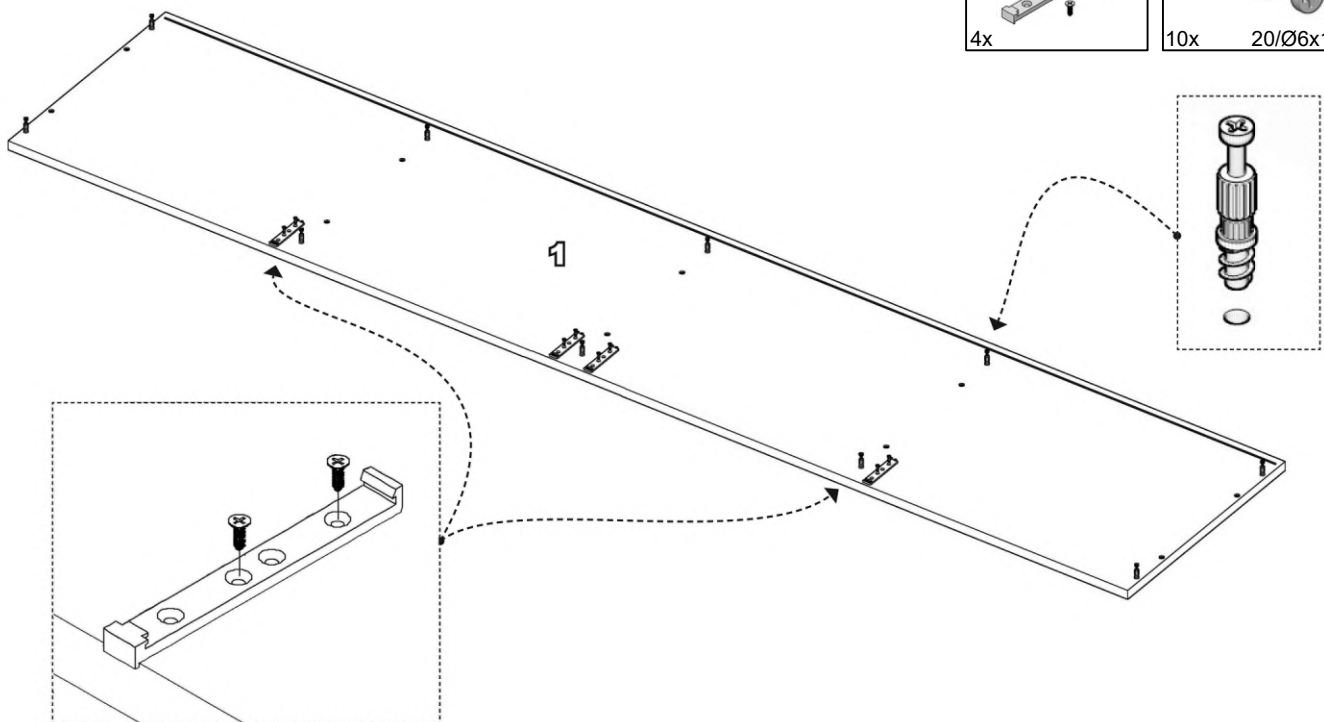
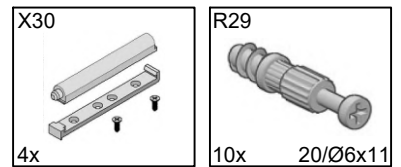
2



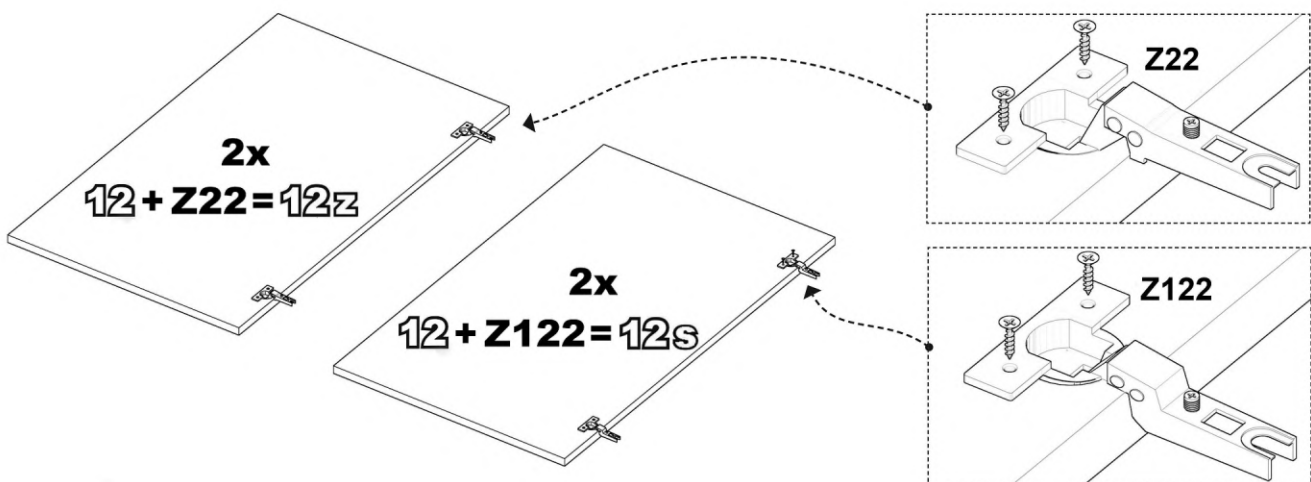
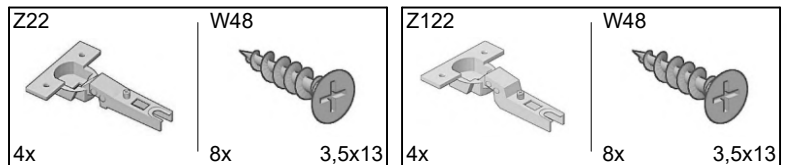
# SURF / WAVE - KOMODA 4D

SURF/WAVE KOMODA 4D - 31032023

3



4



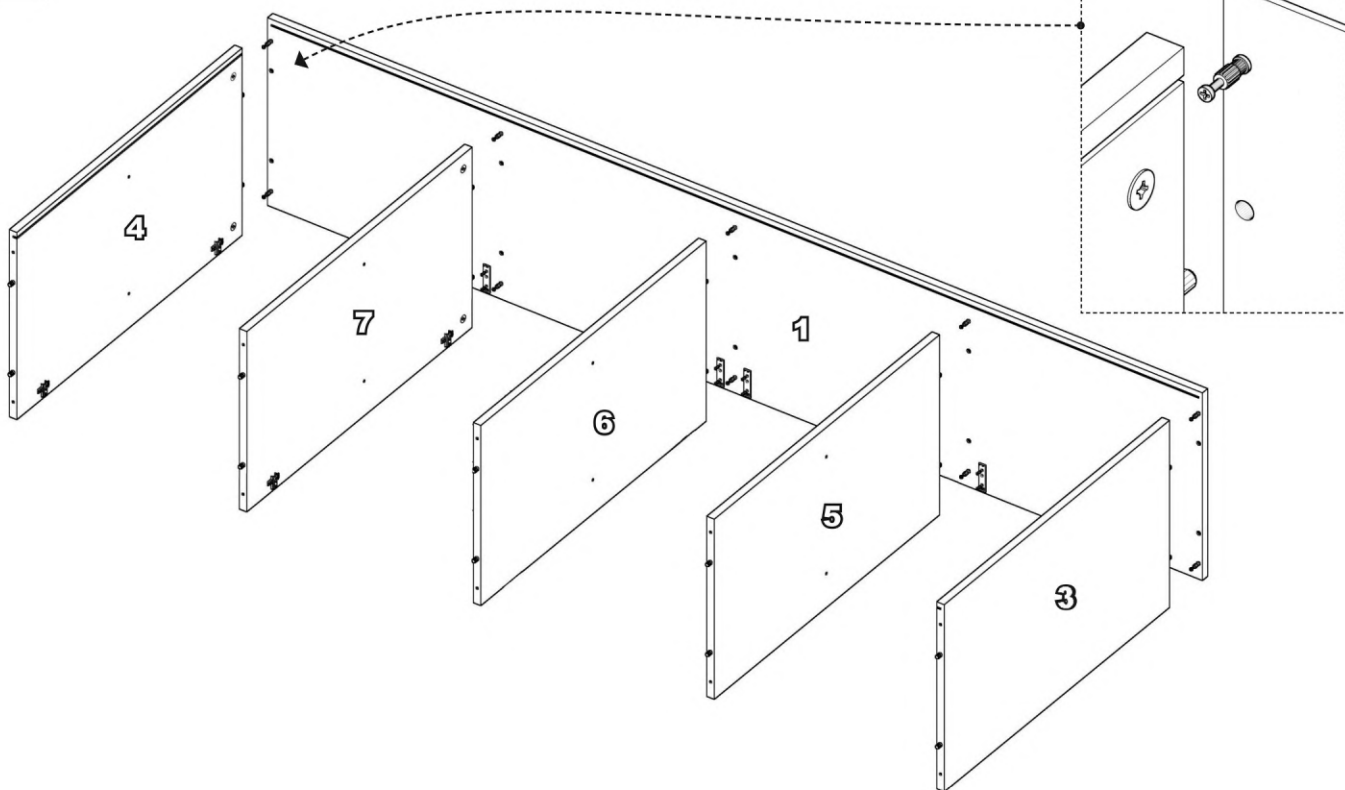
**2x 12 + Z22 = 12z**

**2x 12 + Z122 = 12s**

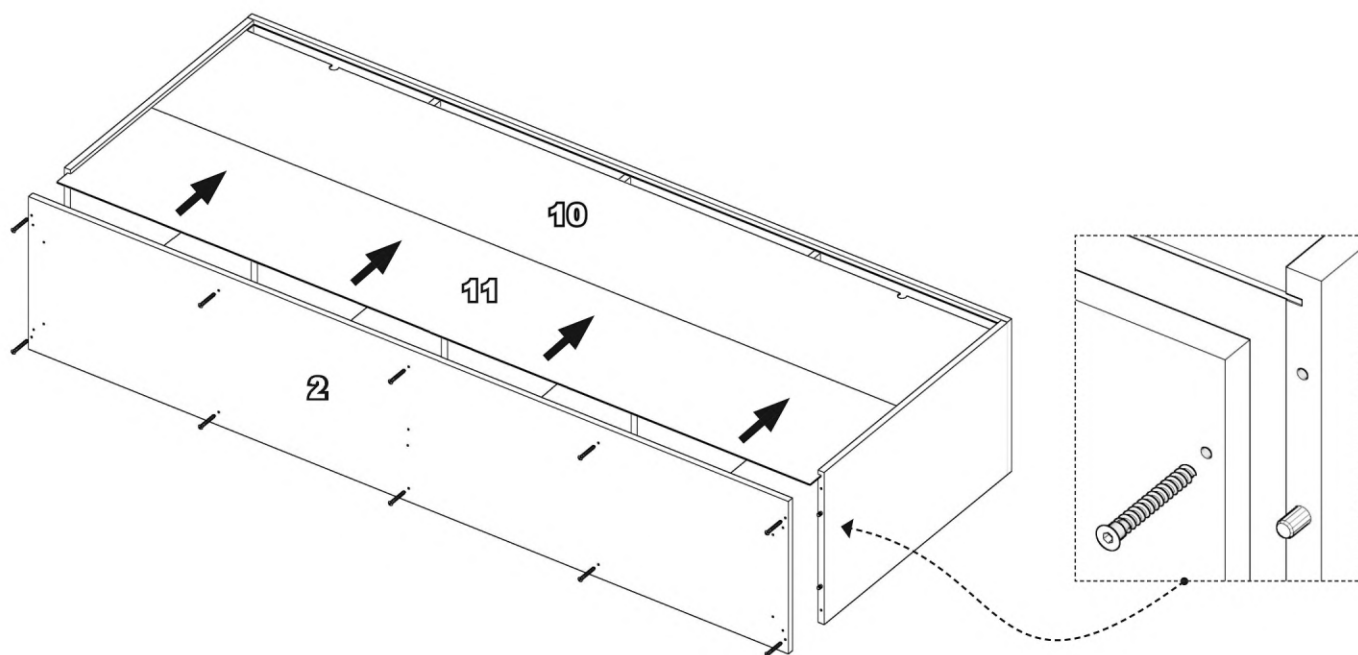
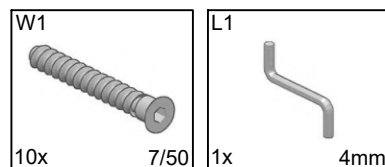
# SURF / WAVE - KOMODA 4D

SURF/WAVE KOMODA 4D - 31032023

5



6

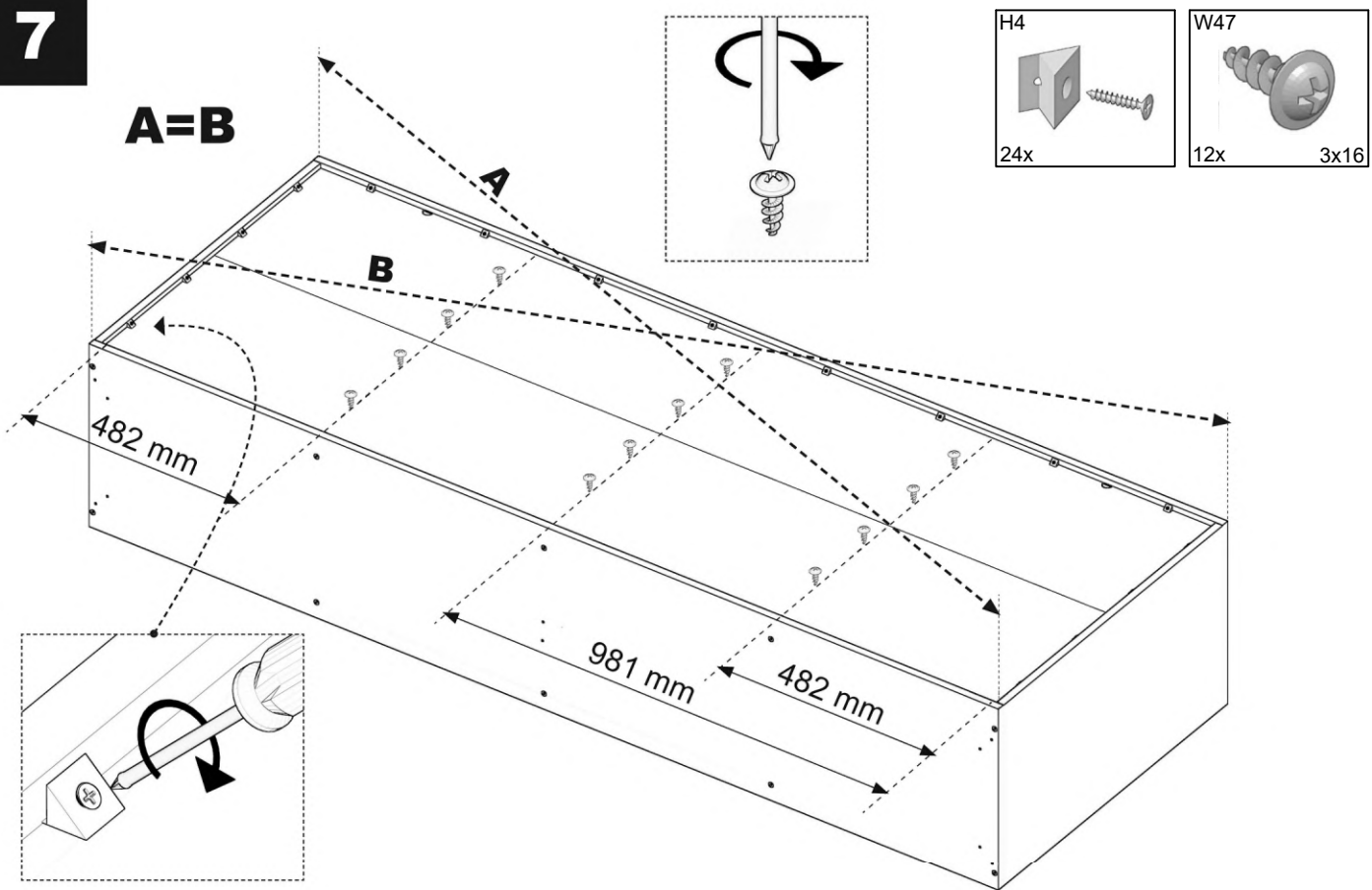


5/8

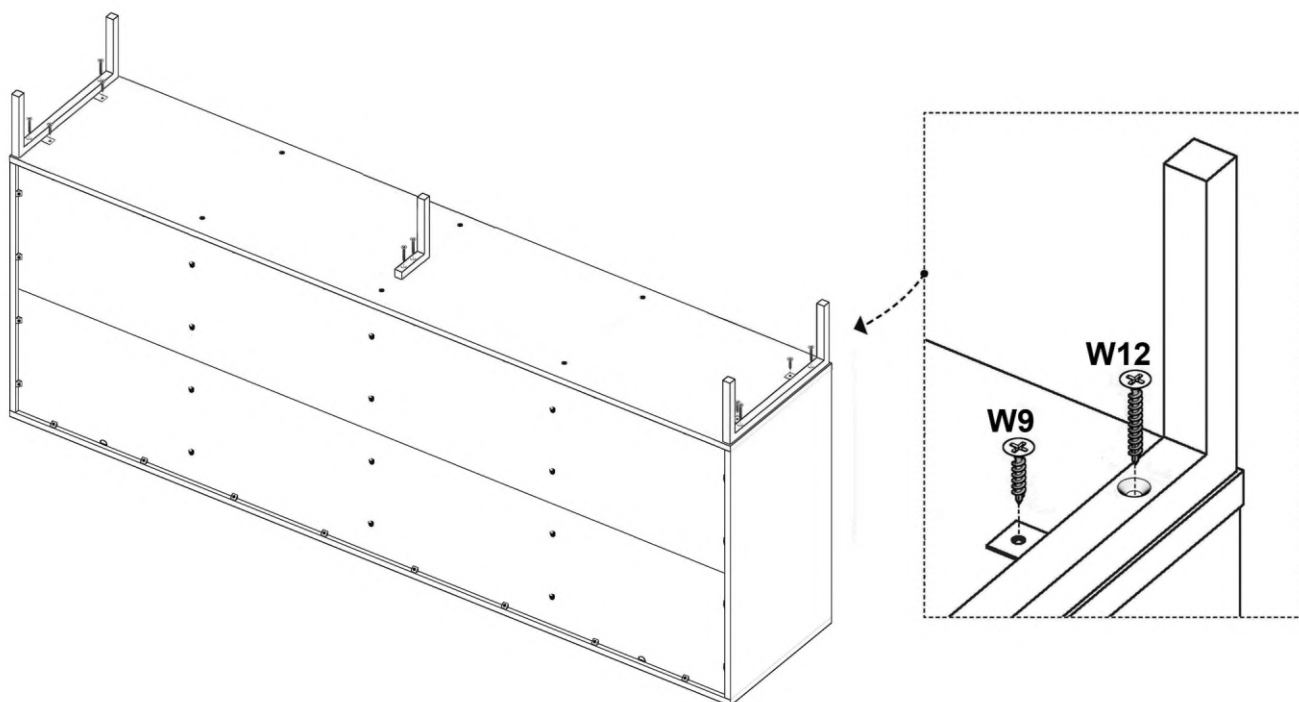
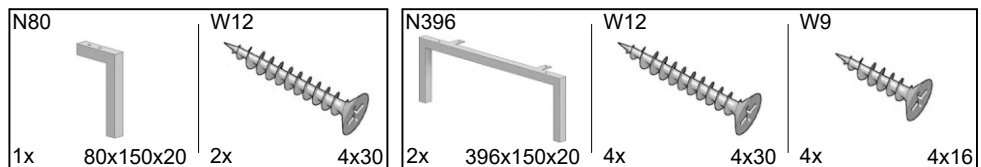
# SURF / WAVE - KOMODA 4D

SURF/WAVE KOMODA 4D - 31032023

7



8



6/8

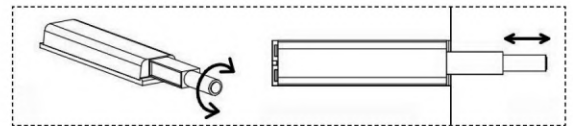
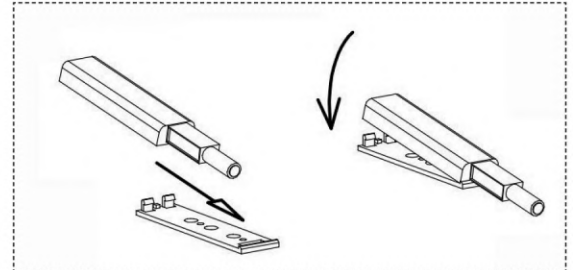
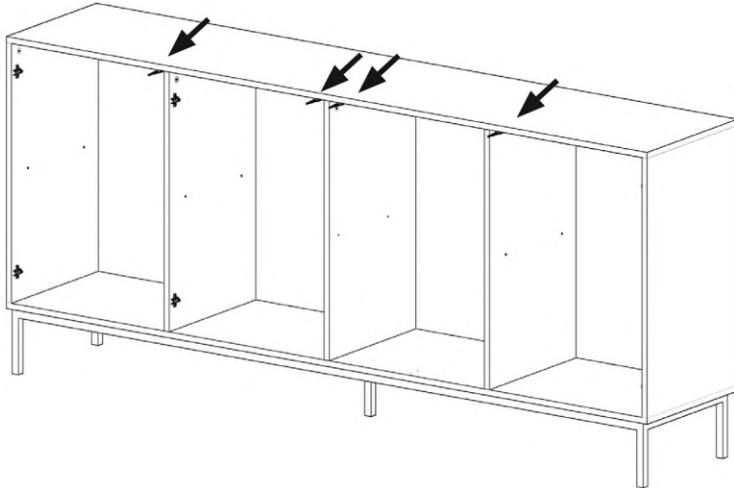
# SURF / WAVE - KOMODA 4D

SURF/WAVE KOMODA 4D - 31032023

9

X30

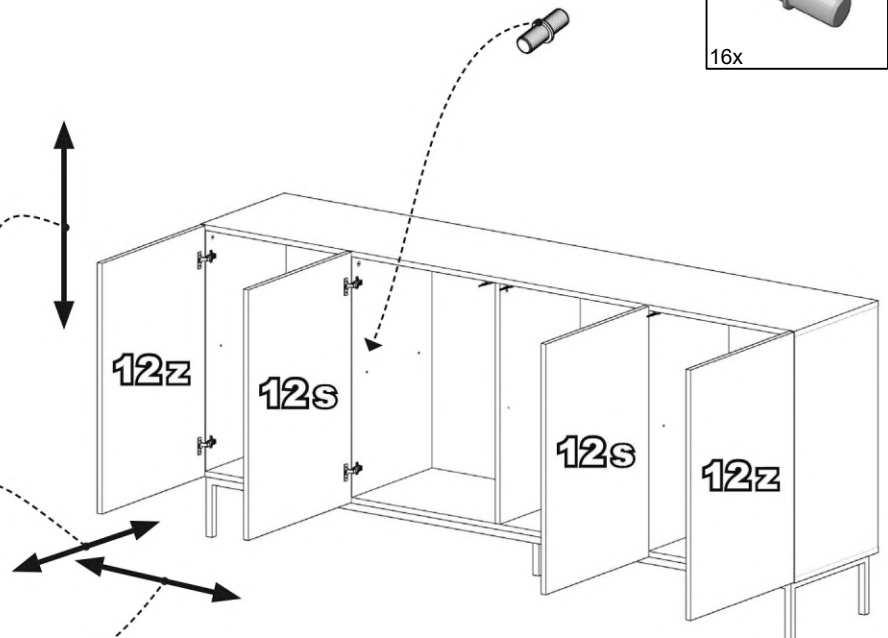
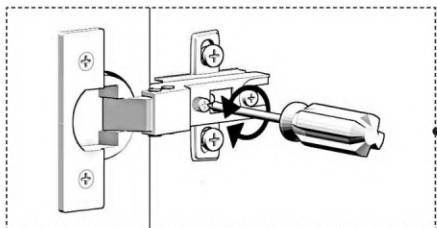
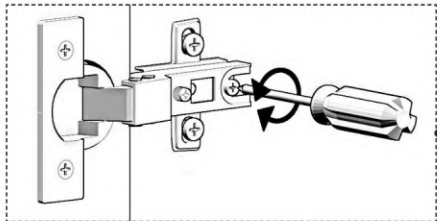
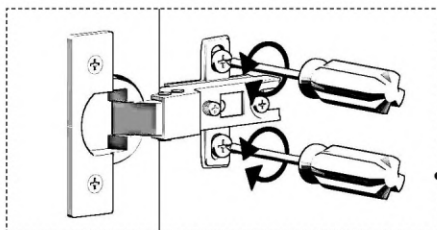
4x



10

P1

16x



# SURF / WAVE - KOMODA 4D

SURF/WAVE KOMODA 4D - 31032023

11

