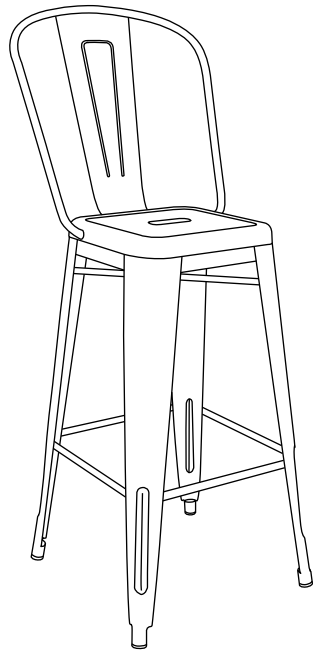






# Assembly Instruction Sheet

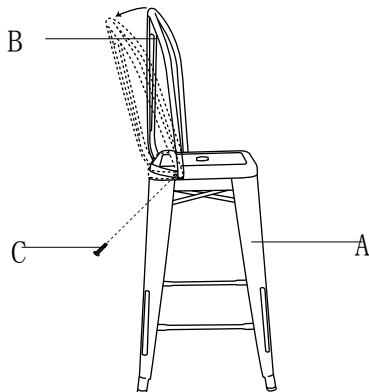
SM805-30



CAUTION: Because of the edges of some parts before assembly may be sharp, please handle unassembled parts carefully.

Parts List	Qty
A 	1
B 	1
C 	4
D 	1

1

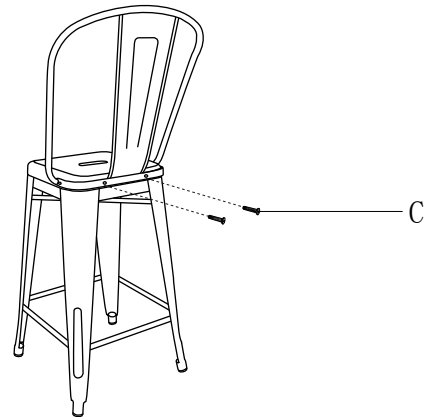


1> Fasten the back onto the seat.

Make the radian of the back suitable for the seat's radian and make it be a 90° angle.

Assemble the two screws on both the sides of the seat, but remember to keep the screw loose enough to change the radian of the back.

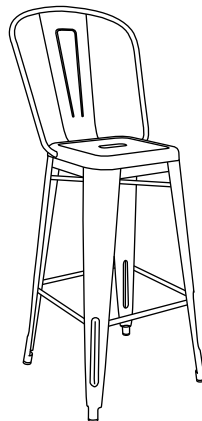
2



2> Pull down the back. Make a obtuse angle between the back and the seat and then assemble the rest two screws on the seat.

Tighten all the screws. Finally a beautiful chair will be displayed.

3



Never wave or bump the product fiercely.  
Never wipe with damp cloth or hard things.  
Stock in door after cleaning when not used.