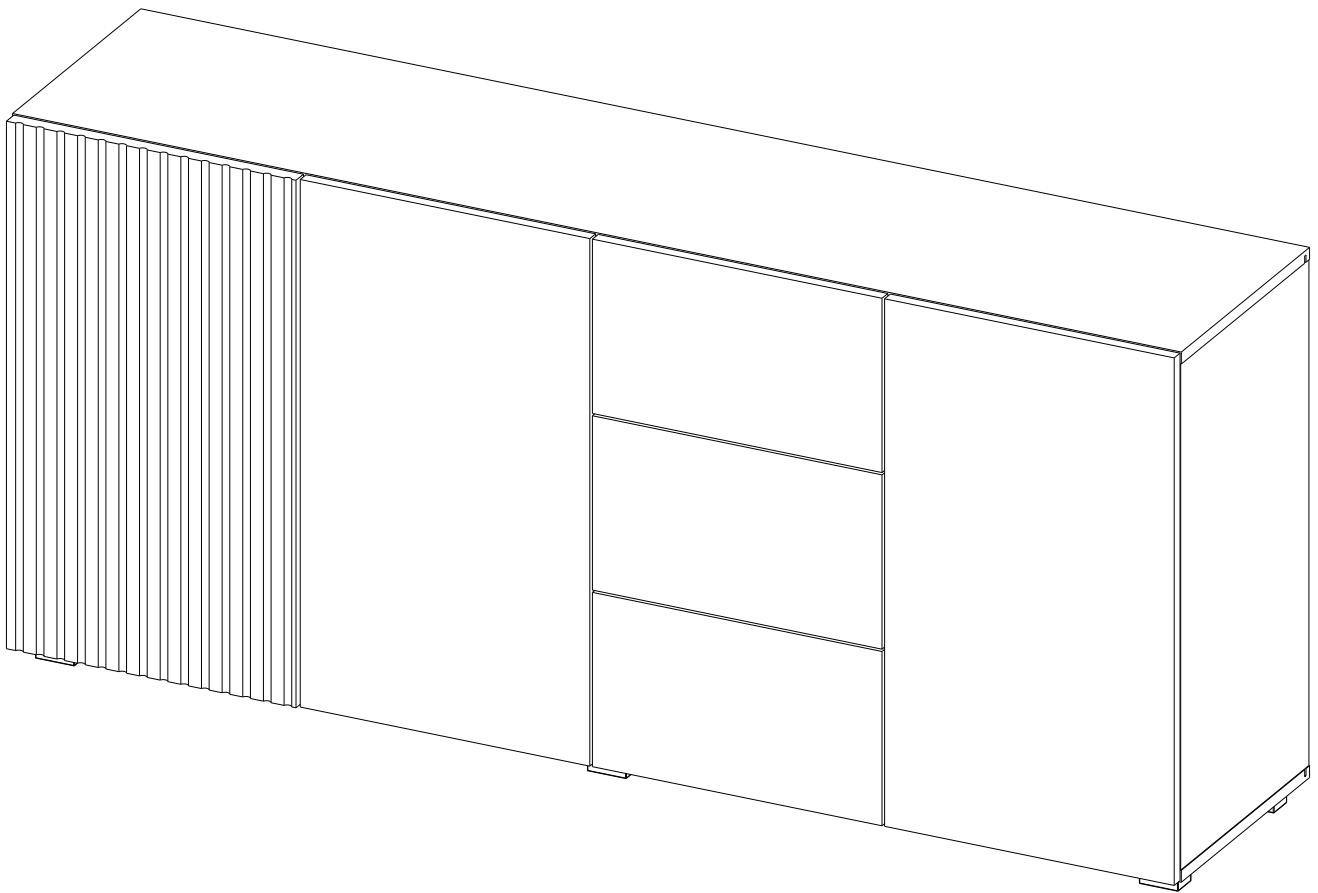


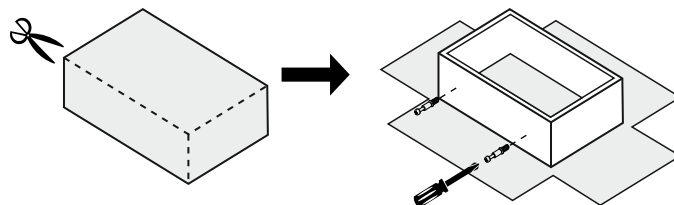
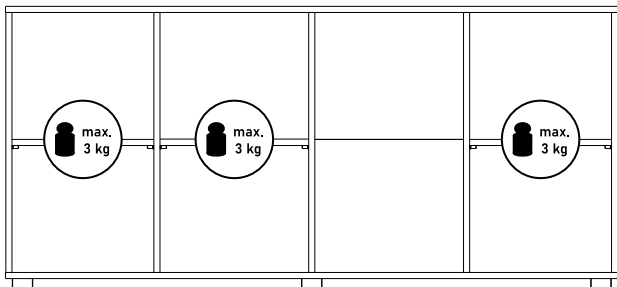
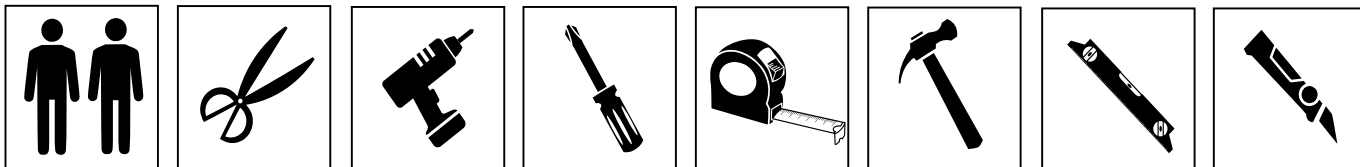
bim
FURNITURE

BIM Sp. z o.o.
UL. NADSTAWNA 12A
23-400 BIŁGORAJ
WWW.BIMFURNITURE.COM



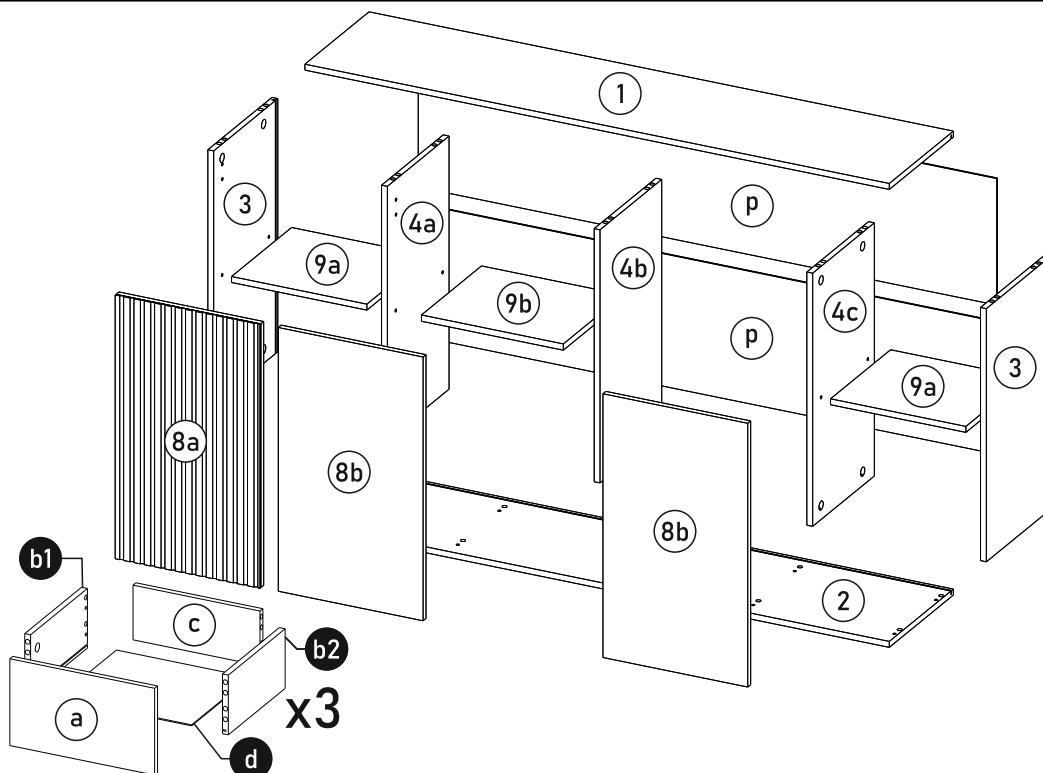
AURIS

KOMODA 3D3S



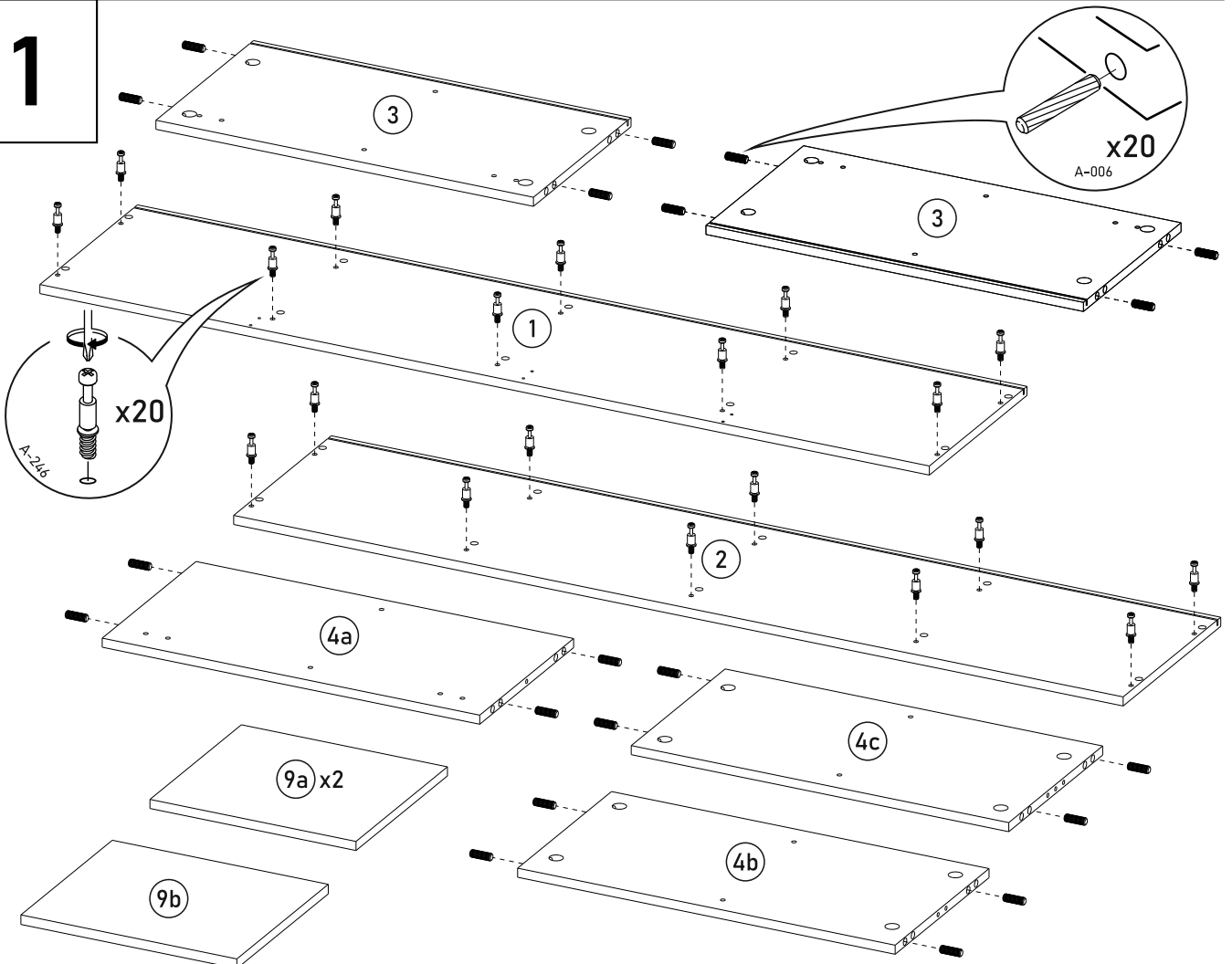
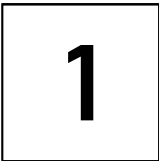
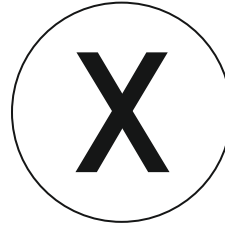
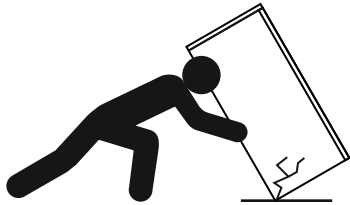
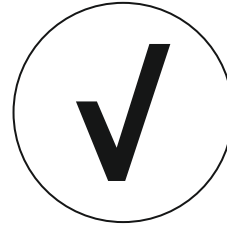
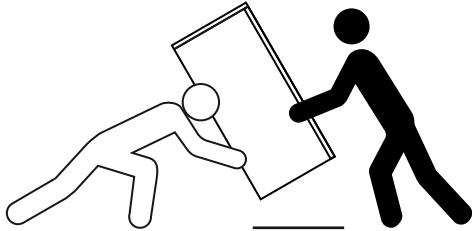
ZESTAWIENIE ELEMENTÓW

| | WYMIARY | ILOŚĆ |
|----|------------|-------|
| 1 | 1800 x 395 | 1 |
| 2 | 1800 x 395 | 1 |
| 3 | 764 x 395 | 2 |
| 4a | 764 x 380 | 1 |
| 4b | 764 x 380 | 1 |
| 4c | 764 x 380 | 1 |
| 8a | 796 x 446 | 1 |
| 8b | 796 x 446 | 2 |
| 9a | 417 x 370 | 2 |
| 9b | 437 x 370 | 1 |
| a | 262 x 446 | 3 |
| b1 | 350 x 180 | 3 |
| b2 | 350 x 180 | 3 |
| c | 391 x 166 | 3 |
| p | 1780 x 391 | 2 |
| d | 406 x 355 | 3 |

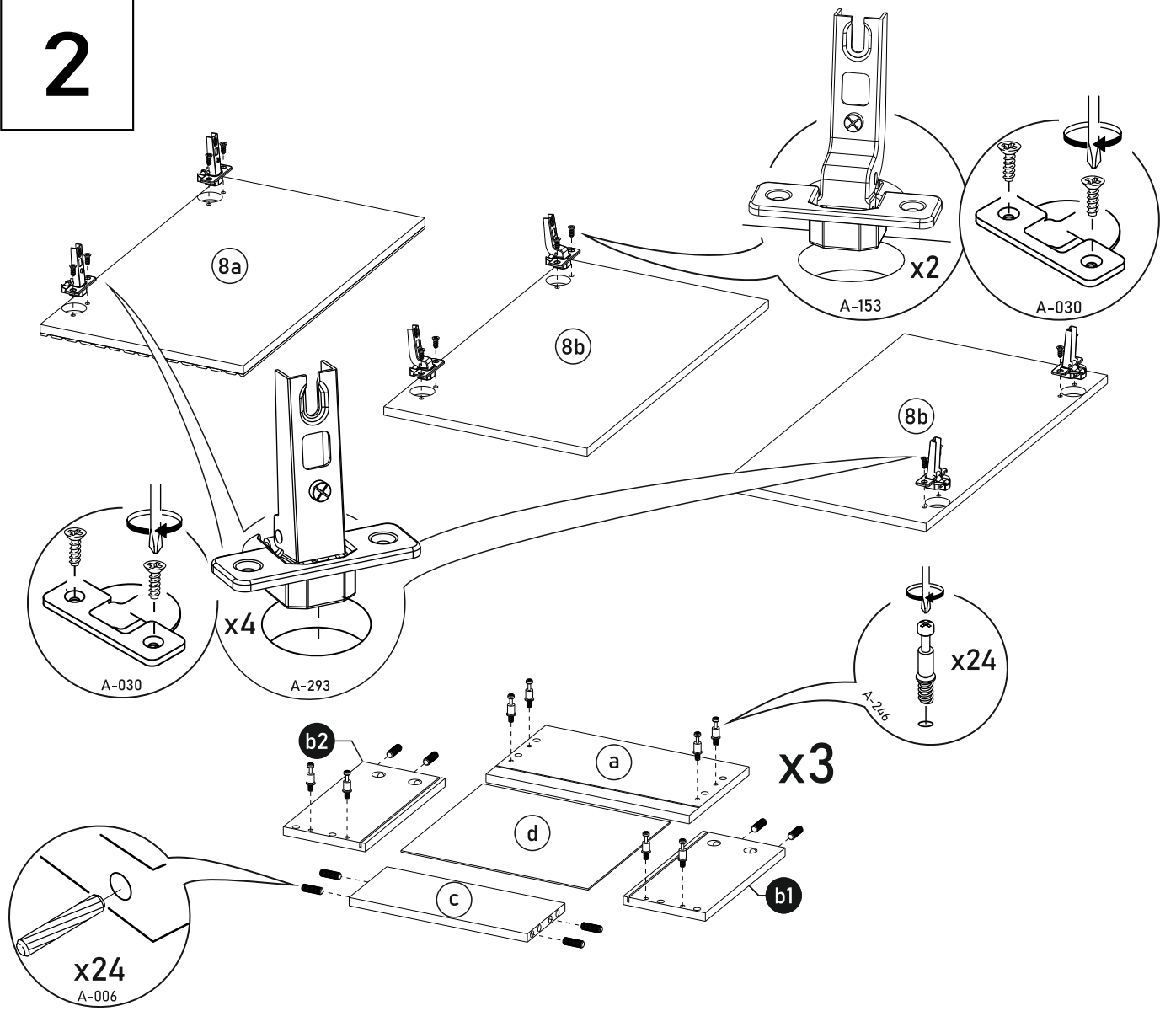


ZESTAWIENIE AKCESORIÓW NIEZBĘDNYCH DO MONTAŻU

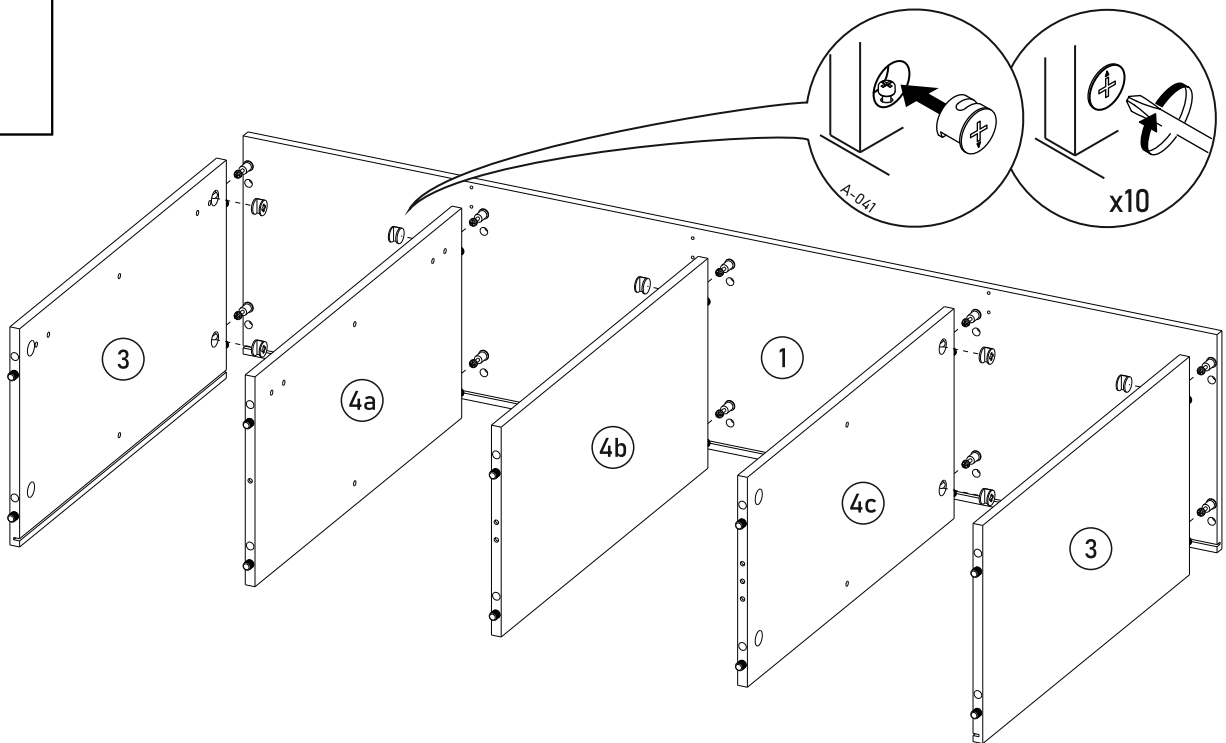
| | | | | | | |
|-----------------|-----------------------------|------------------------------|-----------------|------------------------------|------------------------------|------------------------------|
| A-002 60 | A-006 8 x 35mm 44 | A-009 1 | A-012 12 | A-030 5 x 13 mm 12 | A-031 6,3x13 mm 12 | A-032 6,3x20 mm 12 |
| A-041 44 | A-071 40 | A-099 3 x 16 mm 18 | A-153 2 | A-154 2 | A-212/A-213 3 | A-246 7 x 24 mm 44 |
| A-293 4 | A-294 4 | A-383 3 | A-437 6 | A-454/A-455 3 | | |



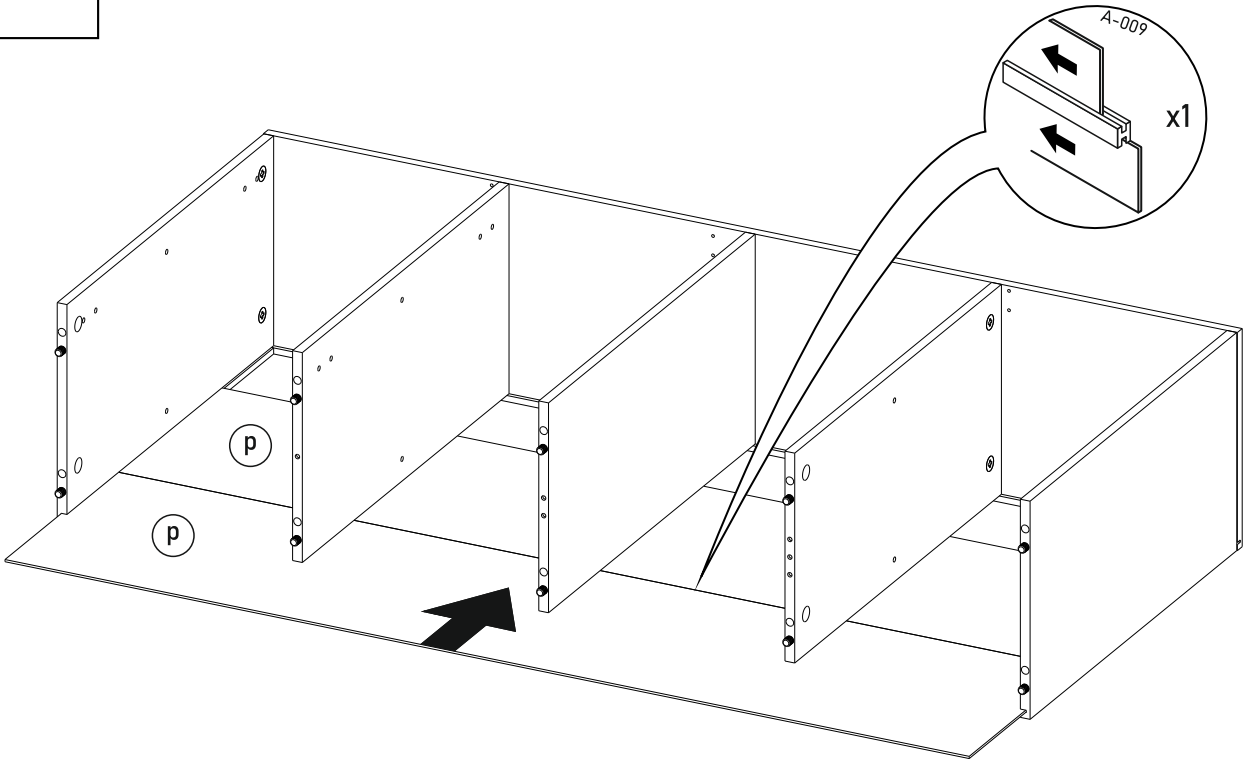
2



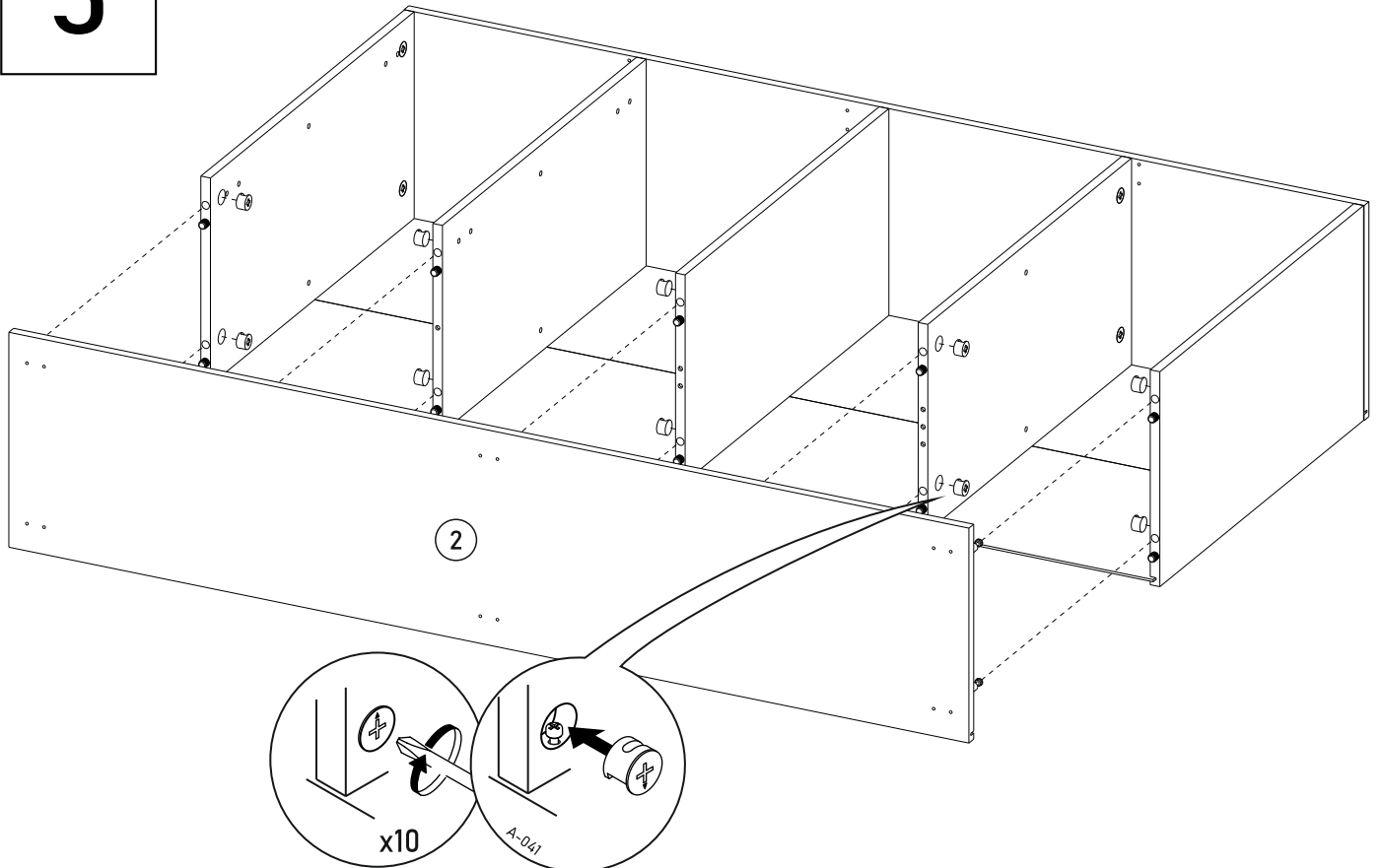
3



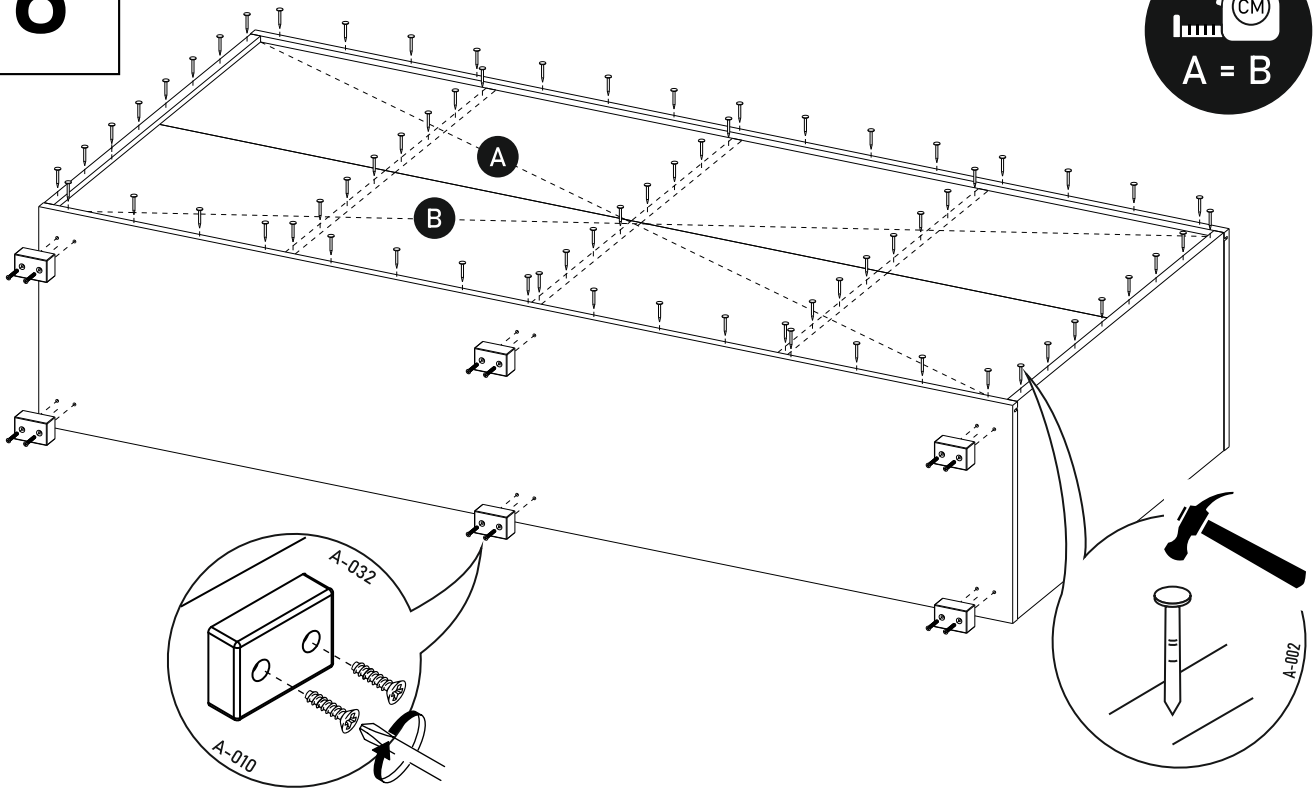
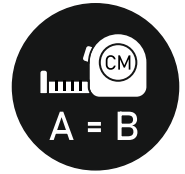
4



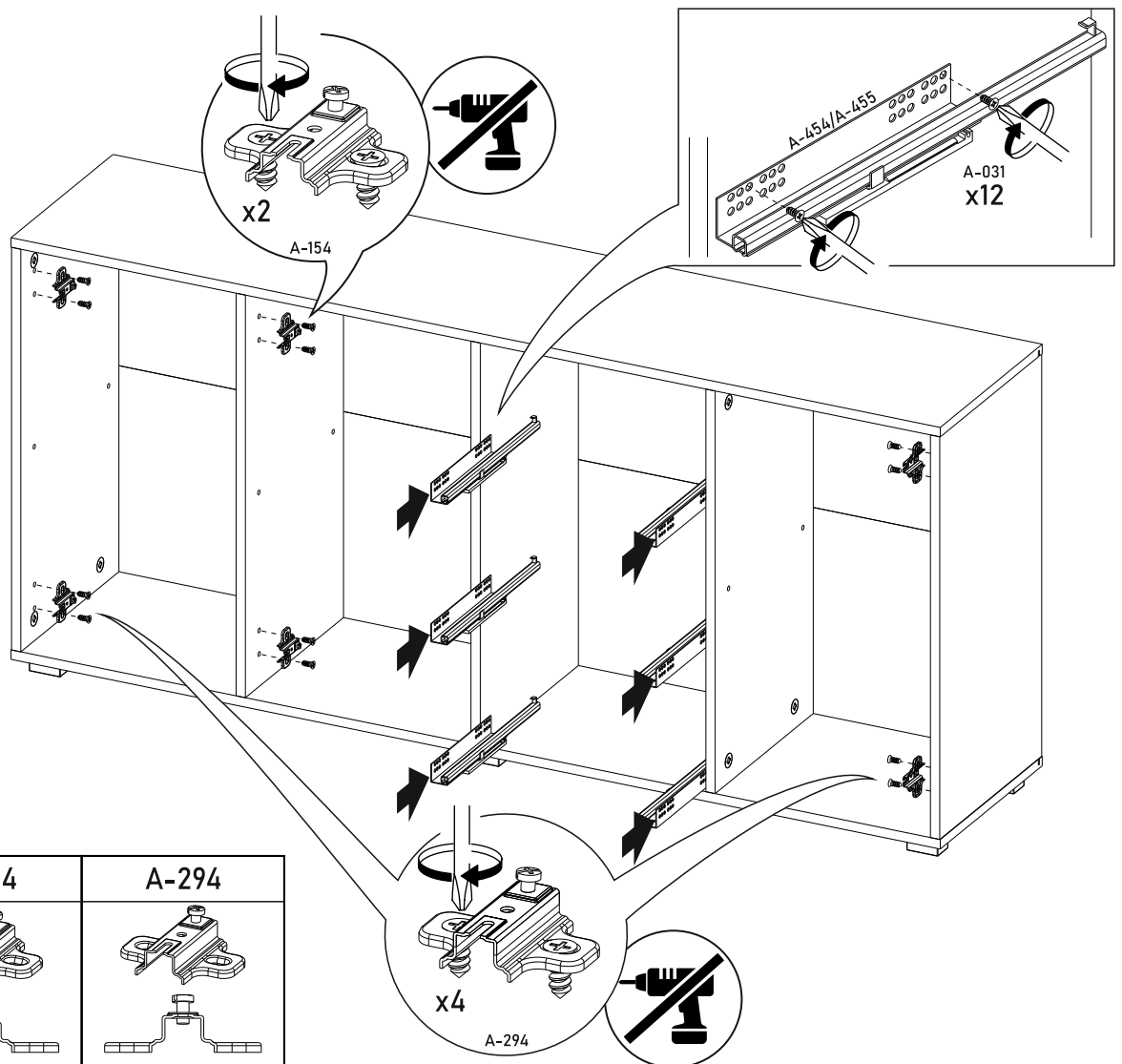
5



6

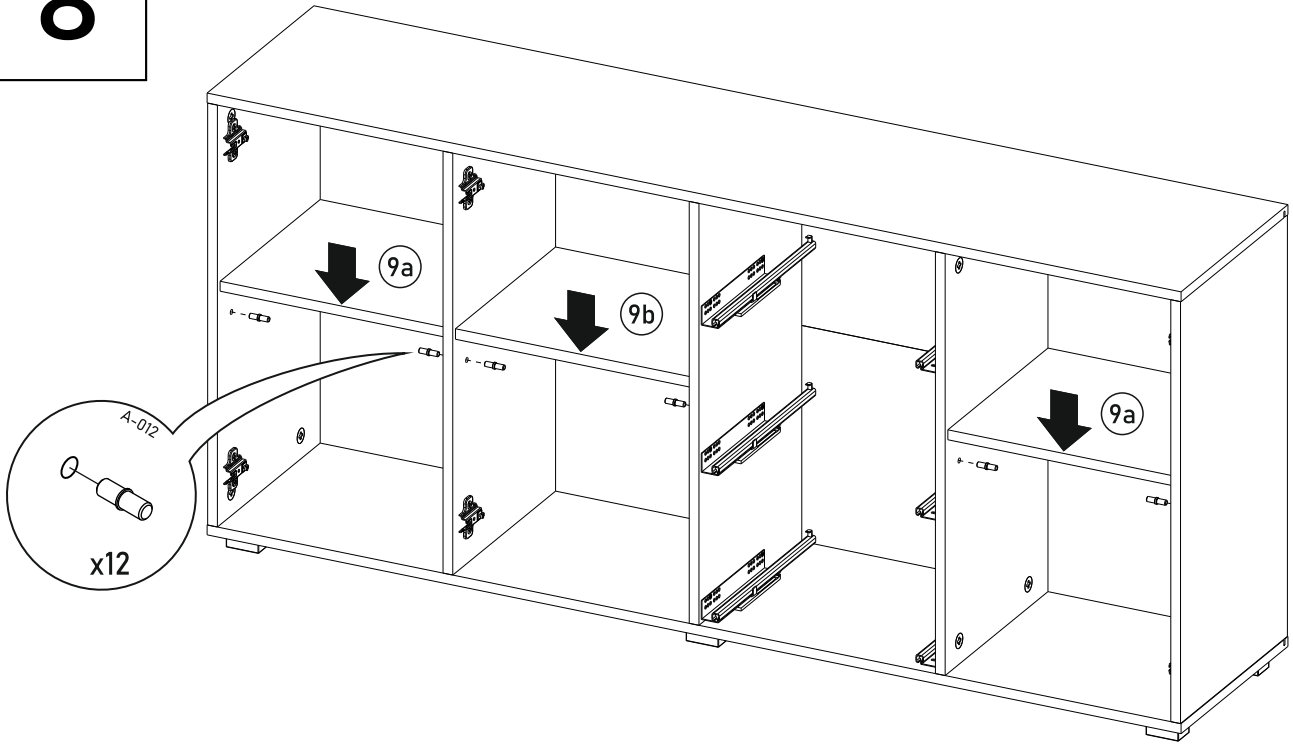


7

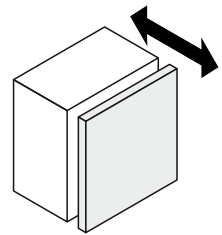
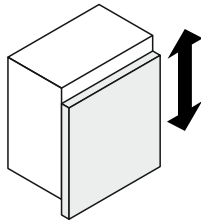
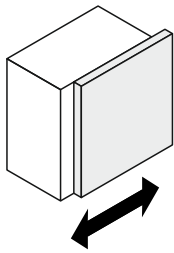
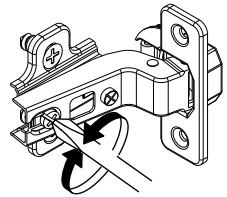
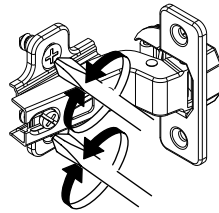
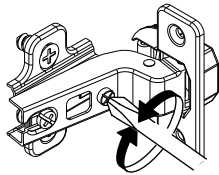


| | | |
|---|-------|-------|
| ! | A-154 | A-294 |
| | | |

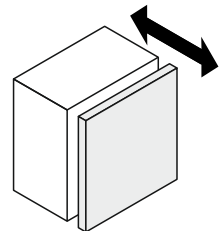
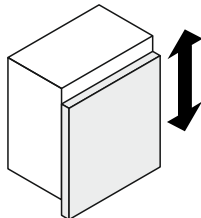
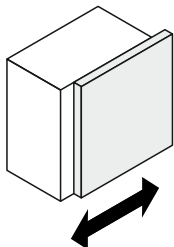
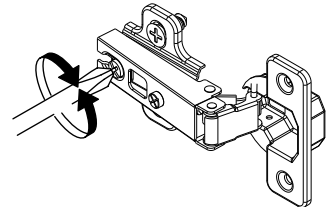
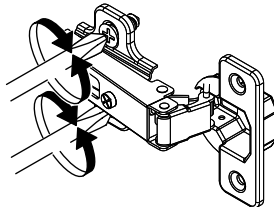
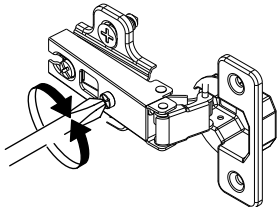
8



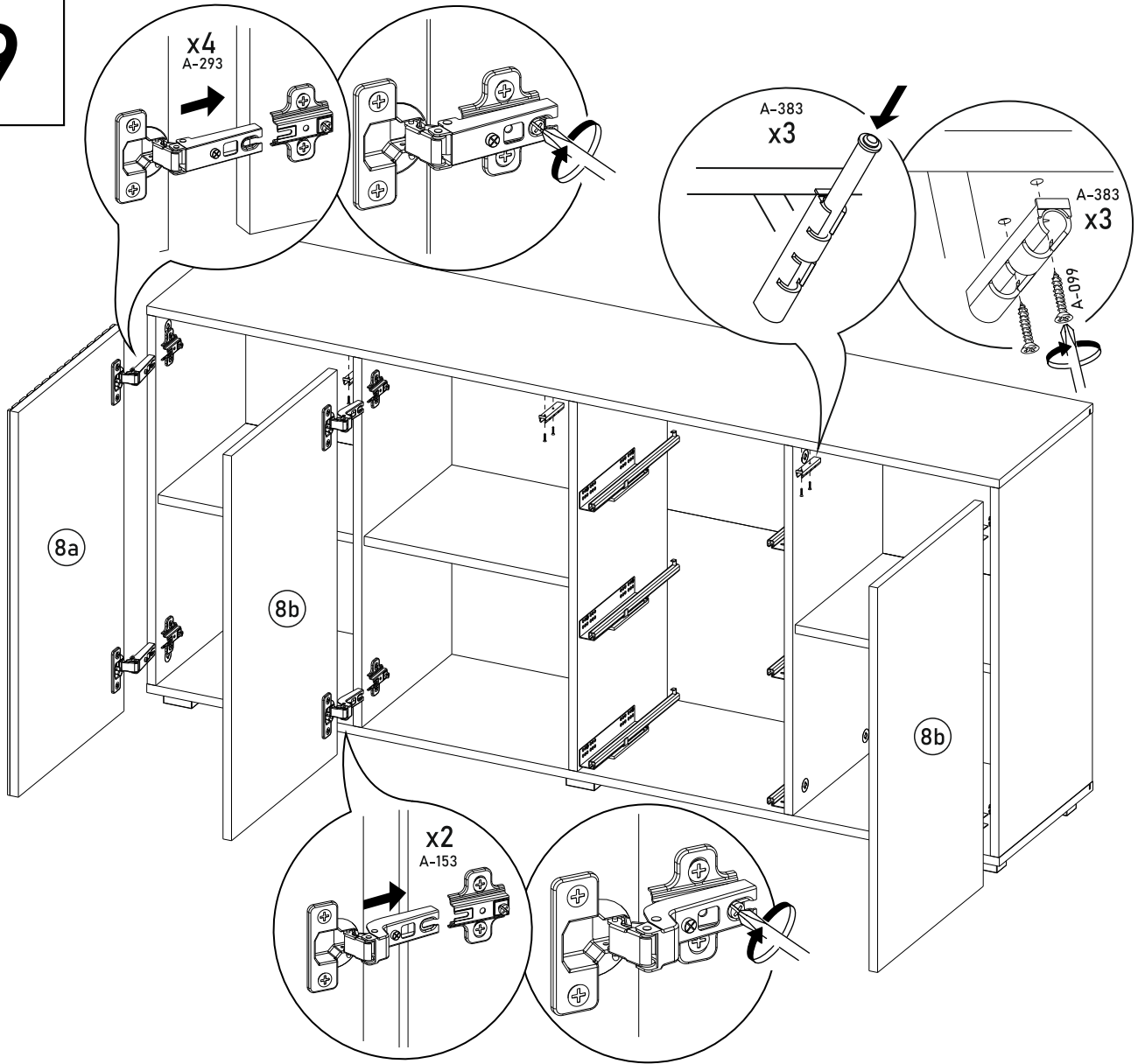
A-153



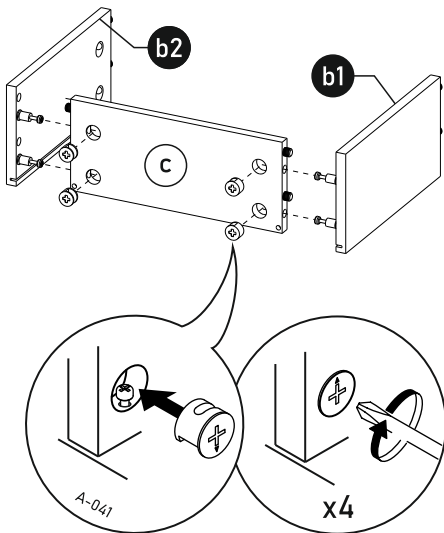
A-293



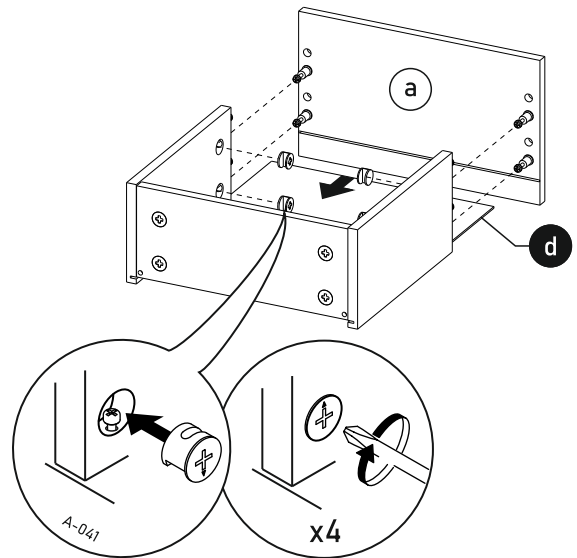
9



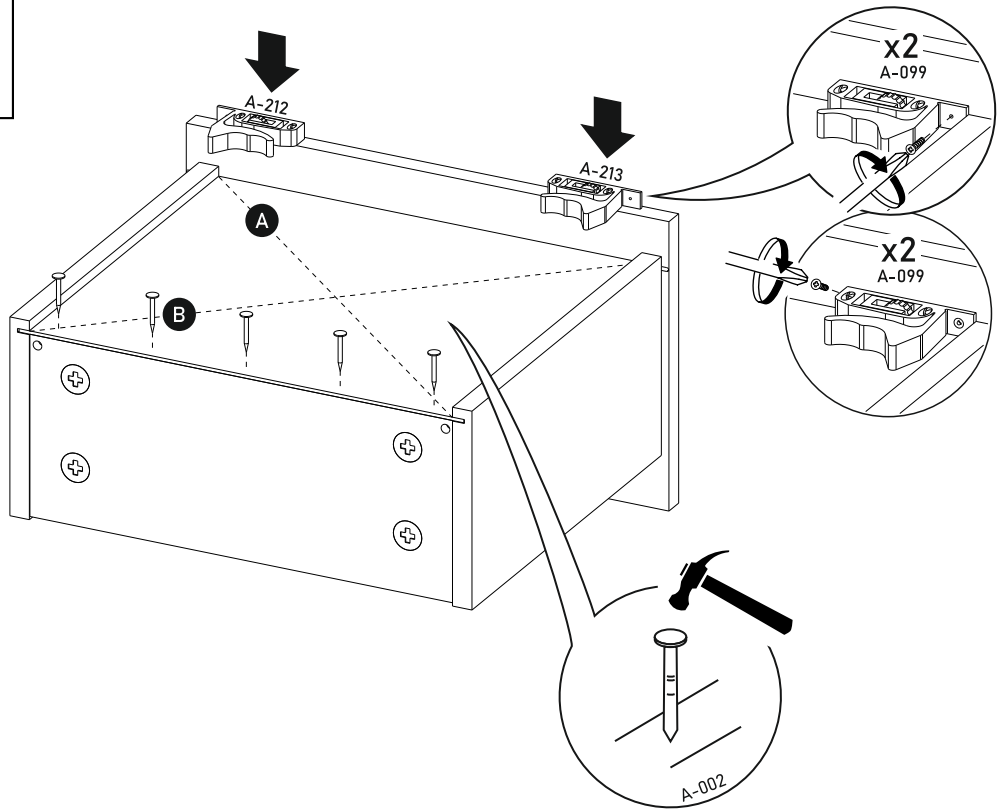
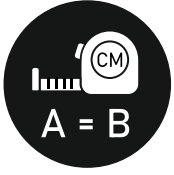
10 x3



11 x3



12 x3



13

