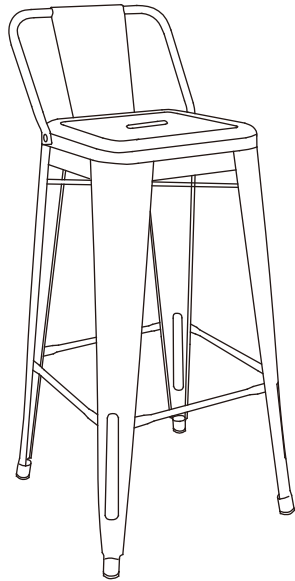

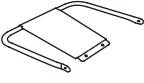




Assembly Instruction Sheet

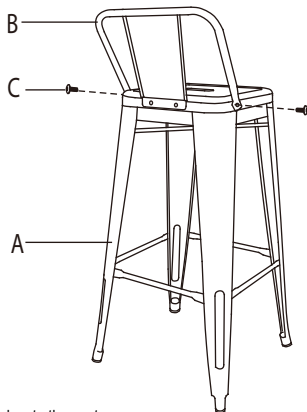
SM804-30



CAUTION: Because of the edges of some parts before assembly may be sharp, please handle unassembled parts carefully.

| Parts List | Qty |
|---|-----|
| A  | 1 |
| B  | 1 |
| C  | 4 |
| D  | 1 |

1

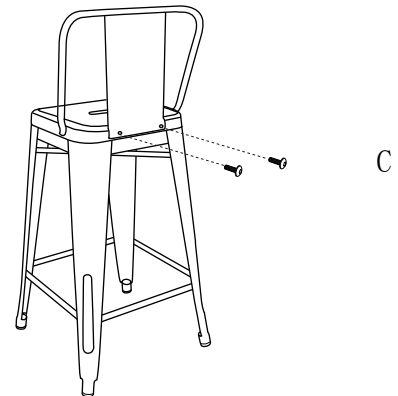


1> Fasten the back onto the seat.

Make the radian of the back suitable for the seat's radian and make it be a 90° angle.

Assemble the two screws on both the sides of the seat, but remember to keep the screw loose enough to change the radian of the back.

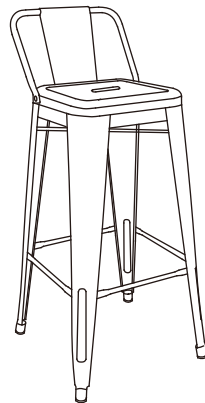
2



2> Pull down the back. Make a obtuse angle between the back and the seat and then assemble the rest two screws on the seat.

Tighten all the screws. Finally a beautiful chair will be displayed.

3



Never wave or bump the product fiercely.
Never wipe with damp cloth or hard things.
Stock in door after cleaning when not used.