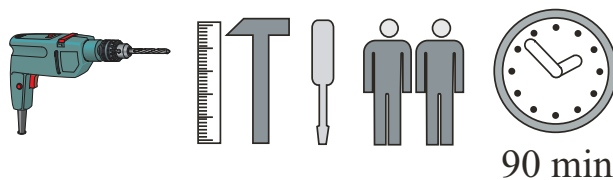
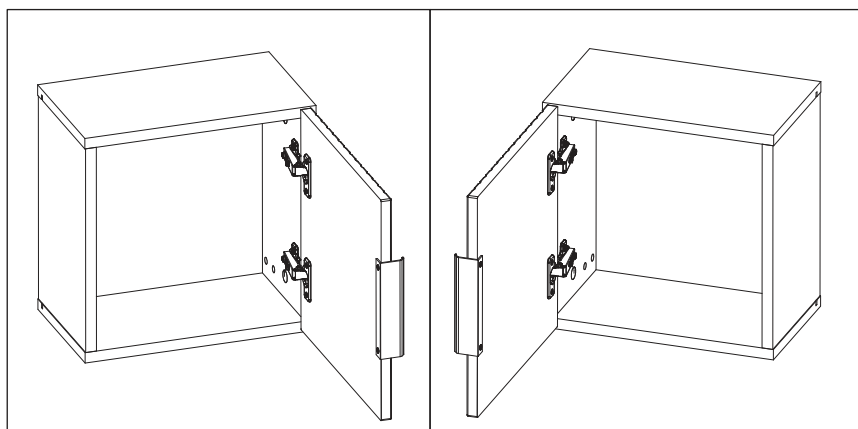
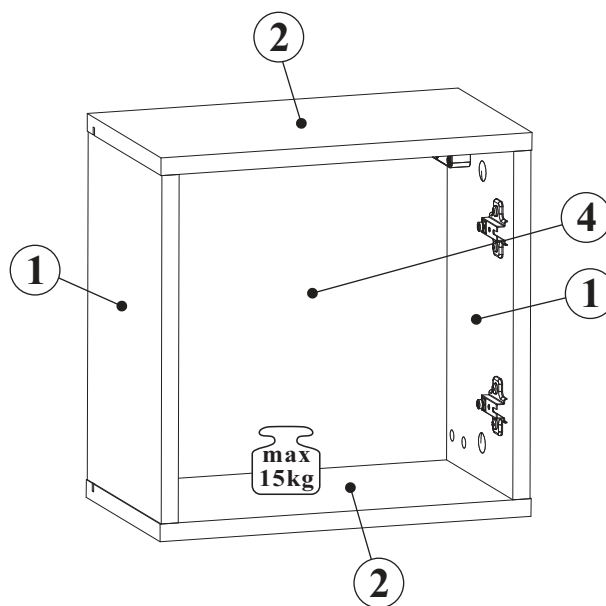
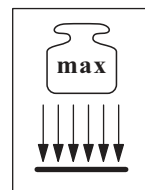
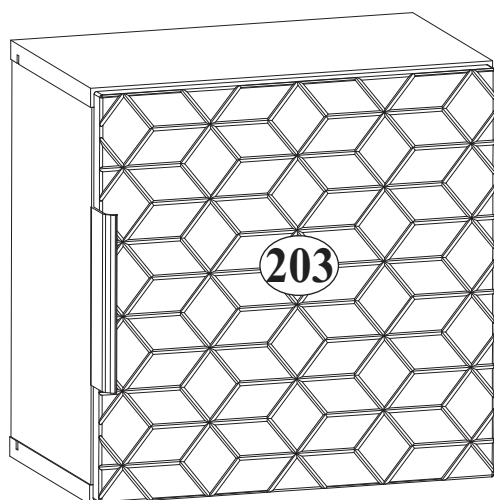
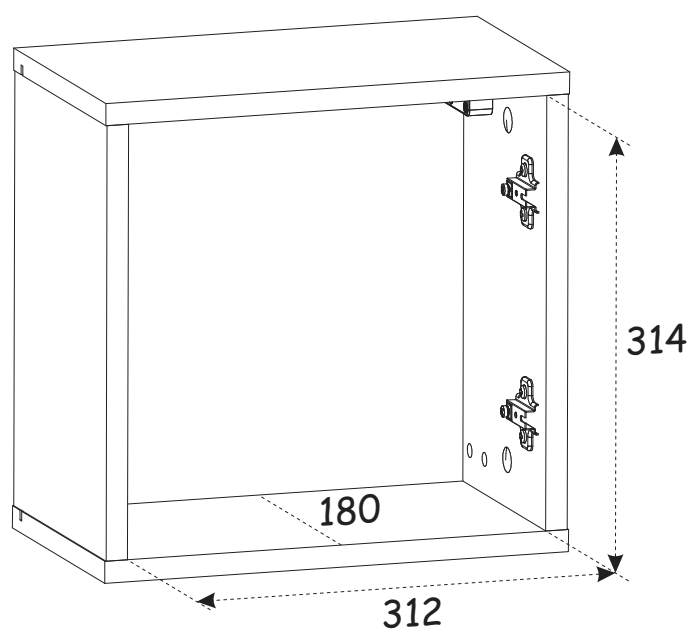
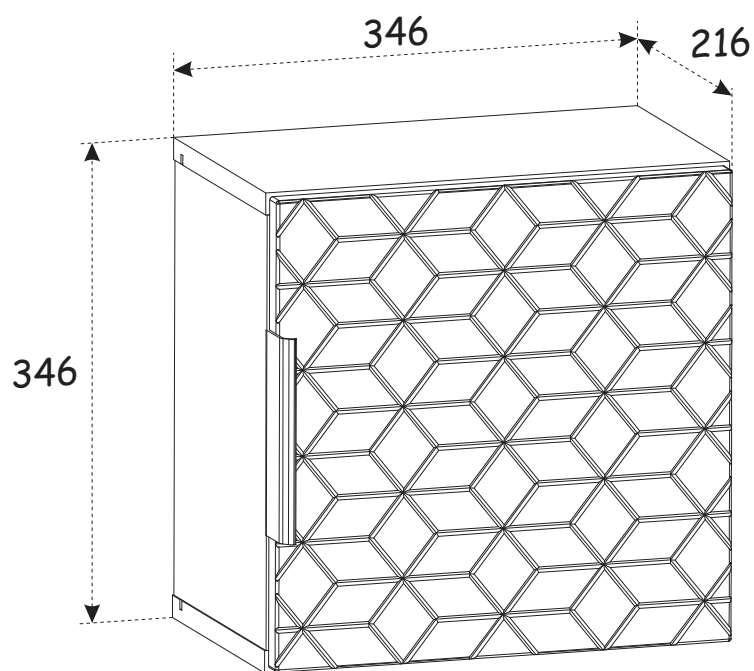


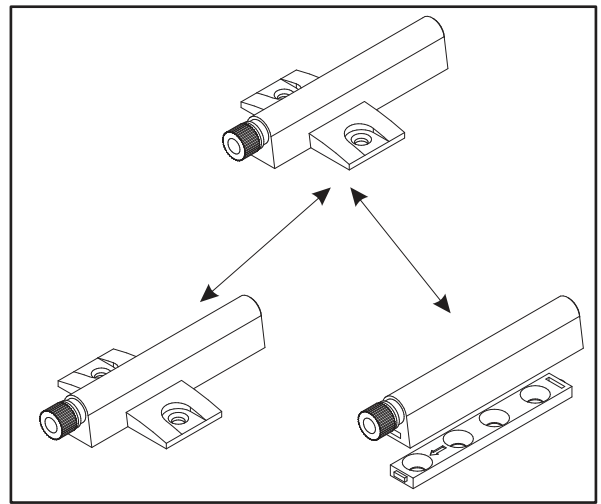
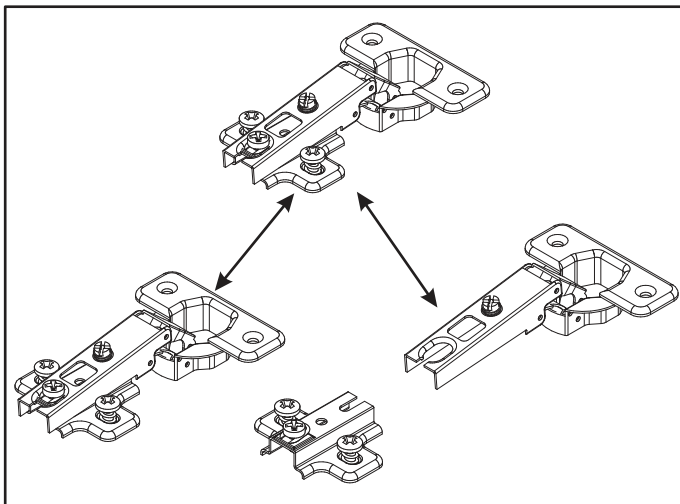
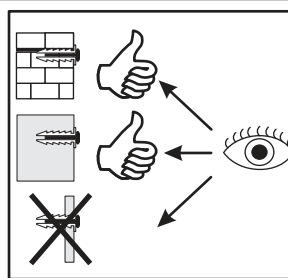
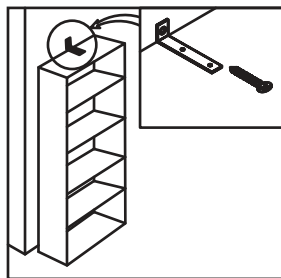
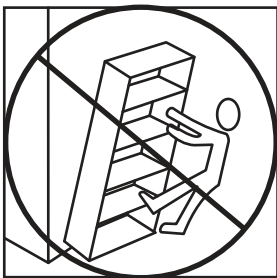
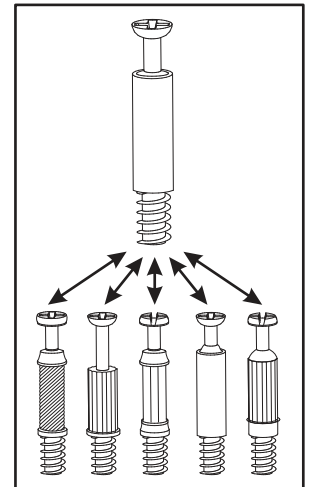
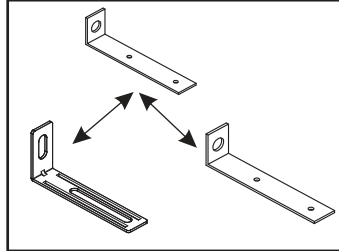
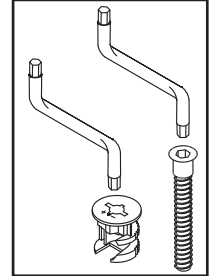
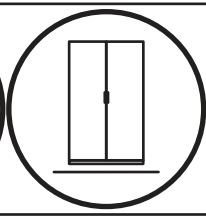
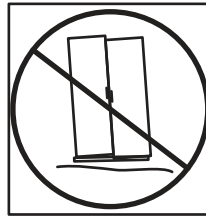
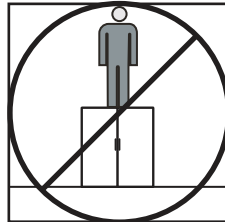
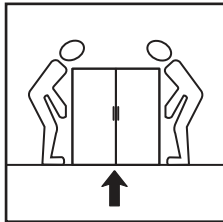
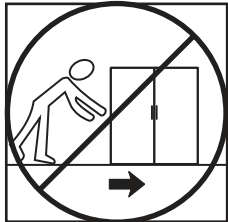
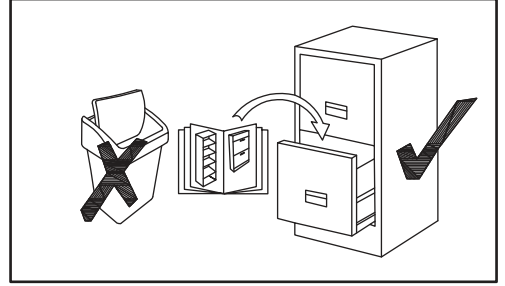
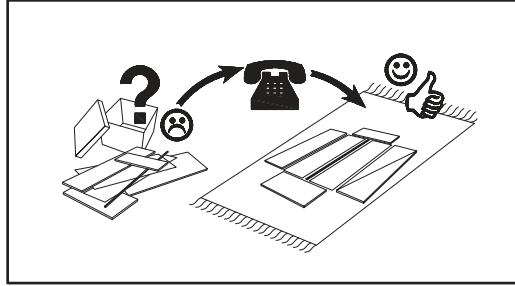
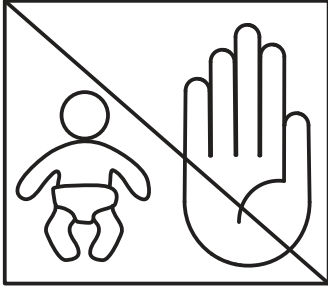
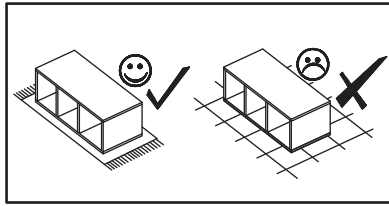
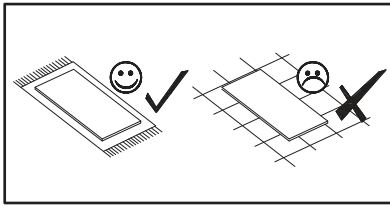
# SZAFKA 1D 83-01-D-1D



NO	Dim. [mm]			Col.-No	Qty
1	314	200	16	1	2
2	346	200	16	1	2
203	340	340	16	1	1
4	326	324	3	1	1

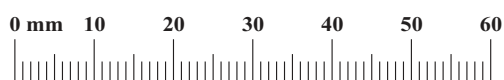
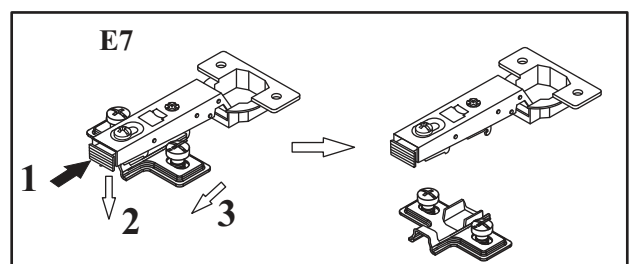
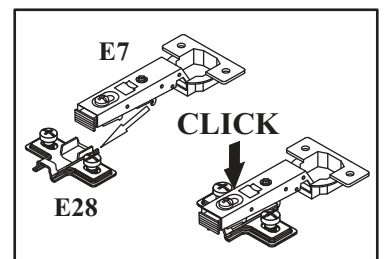
# SZAFKA 1D 83-01-D-1D





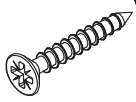
SZAFKA 1D 83-01-D-1D


A1 x8 ø8x36	B4 x4	B5 x4 ø15x12	G5 x4	ZXP x1	ZXL x1
E7 x2 Ø35	E28 x2 H=0	D10 x4 USØ3,5x13	G04 x1 L-148mm.	Z2 x4 Ø5	Z5 x4 Ø10
S1 x4	SZ7 x2	KR1 x4	D7 x2 USØ3x16	D6 x4 USØ3,5x30	G2 x1

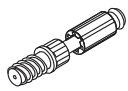



SZAFKA 1D 83-01-D-1D


1


D6	
x4	USØ3,5x30

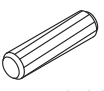
Z5	
x4	Ø10

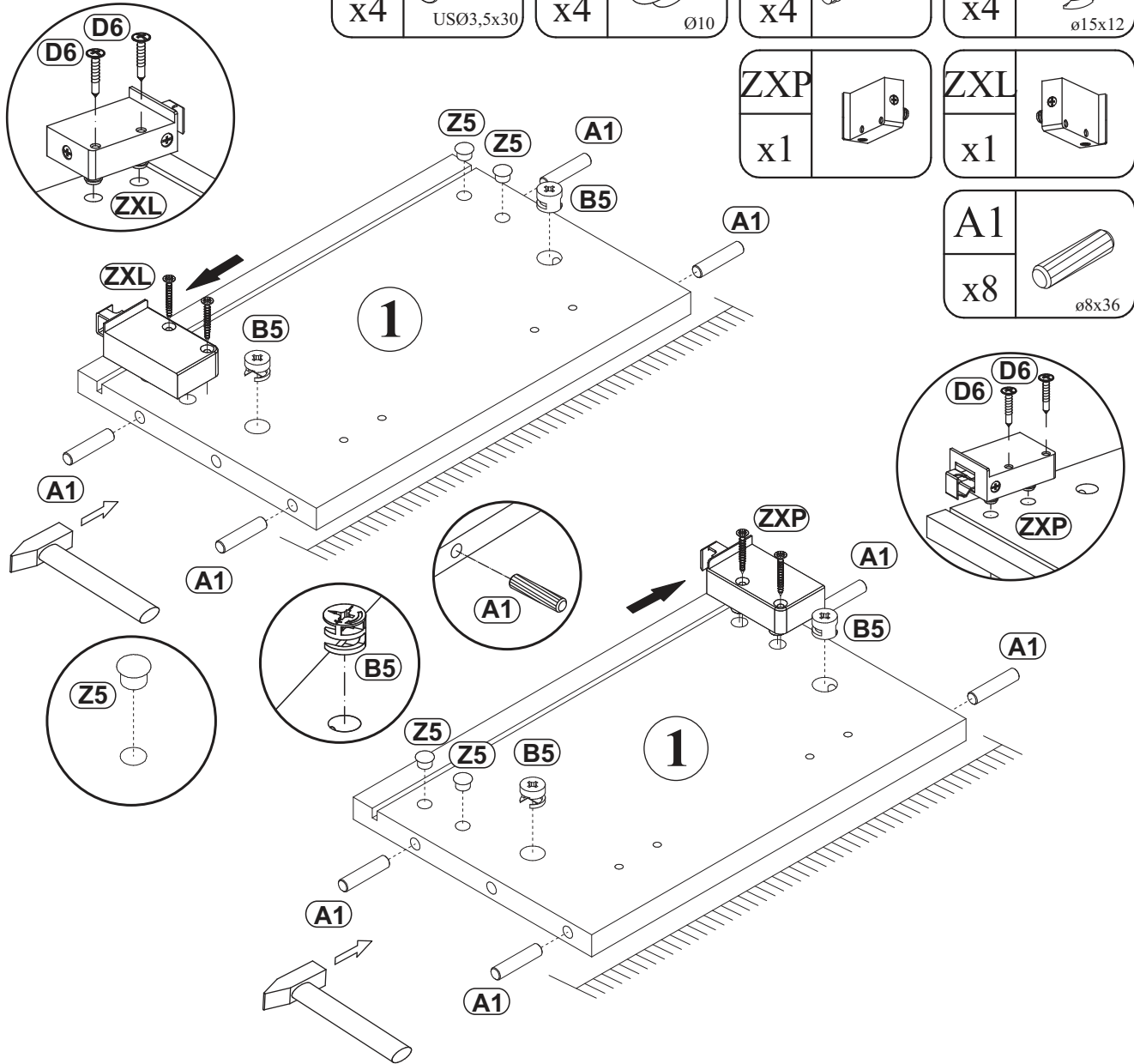
B4	
x4	


B5	
x4	Ø15x12

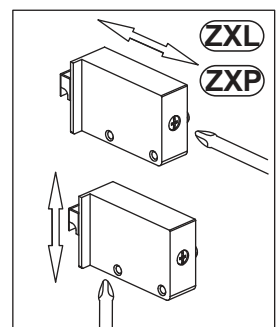
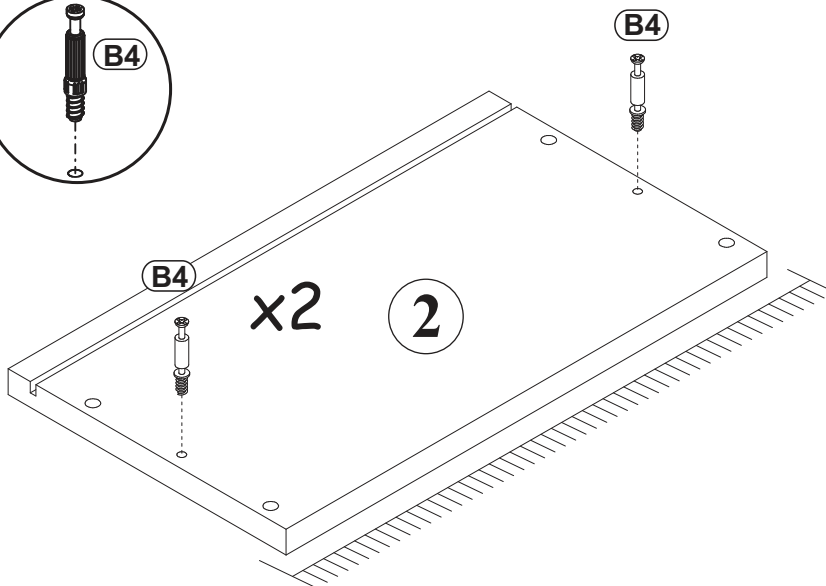
ZXP	
x1	

ZXL	
x1	


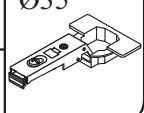
A1	
x8	Ø8x36

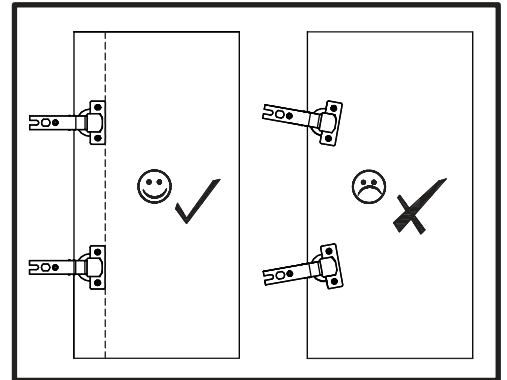
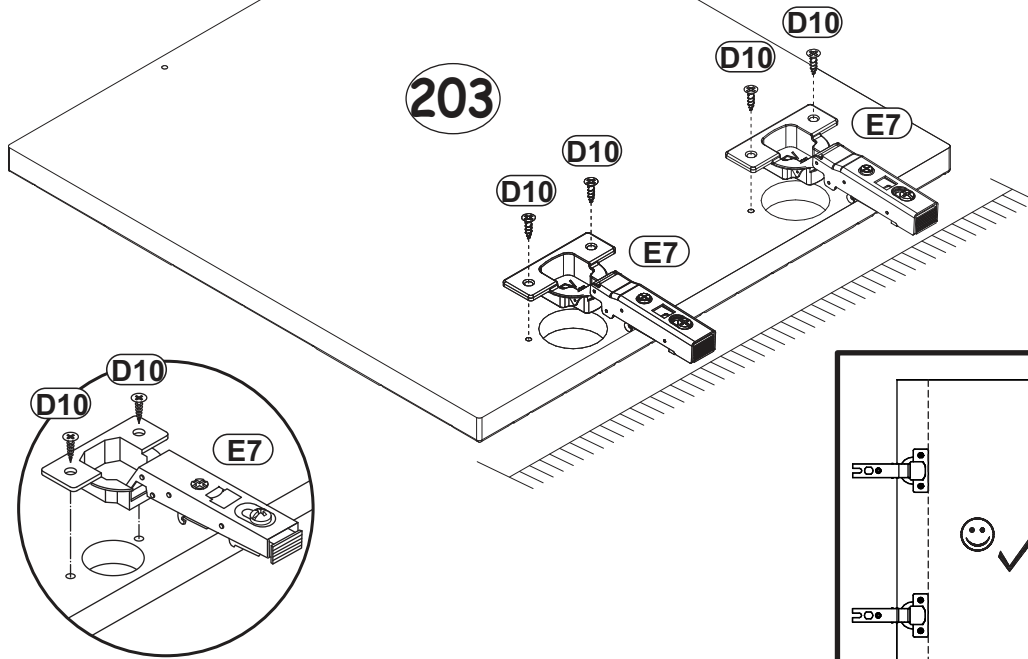


	B4
---	----




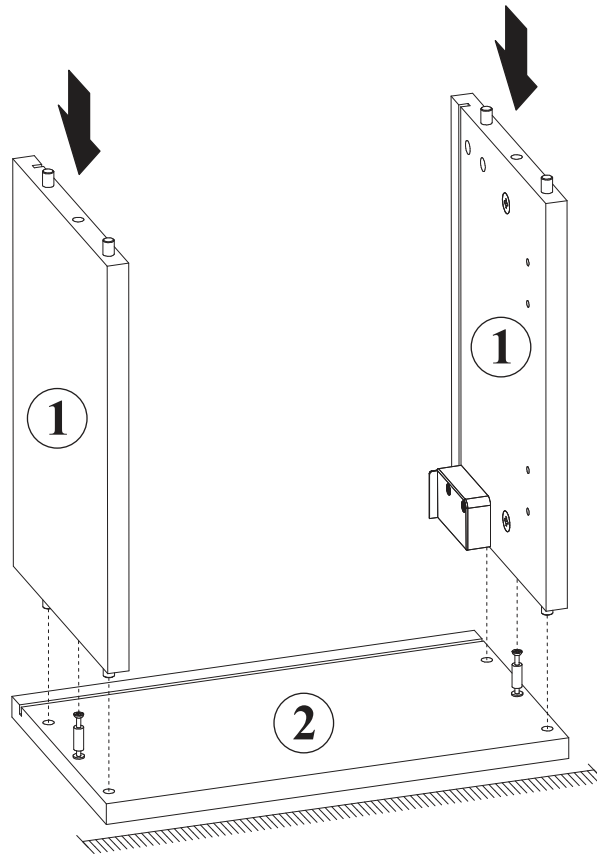
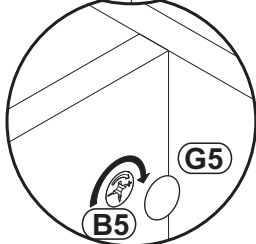
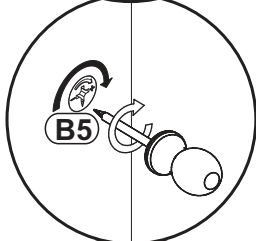
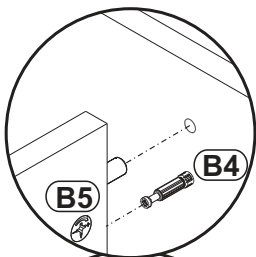
2

D10		E7	
x4		USØ3,5x13	

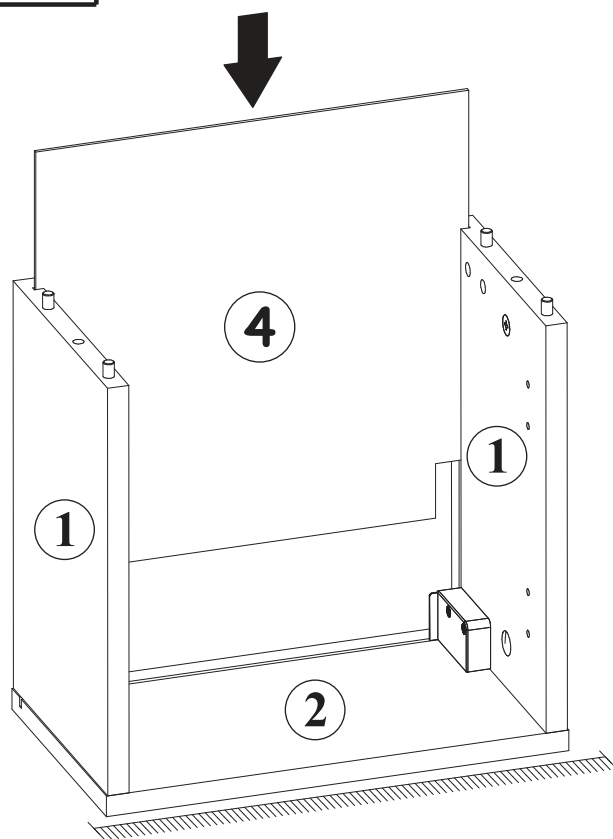


3

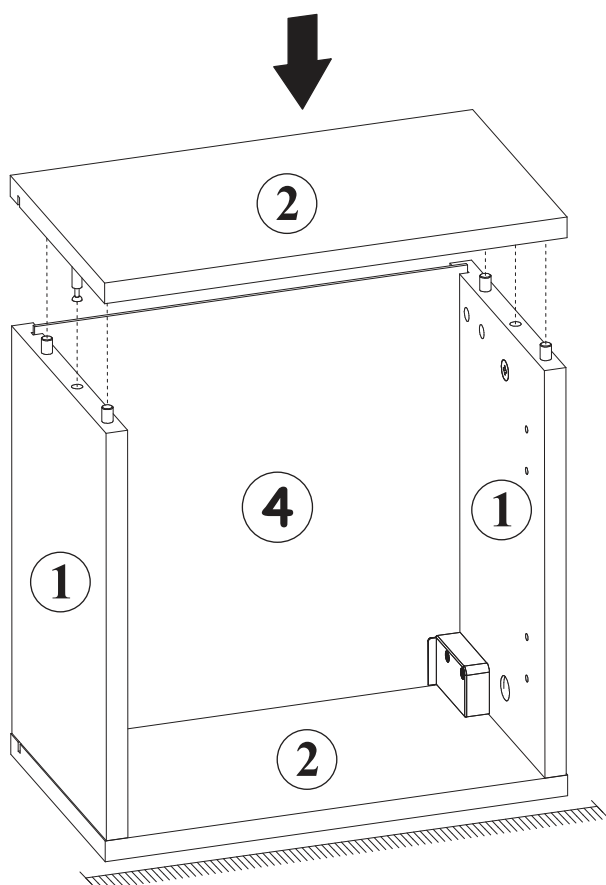
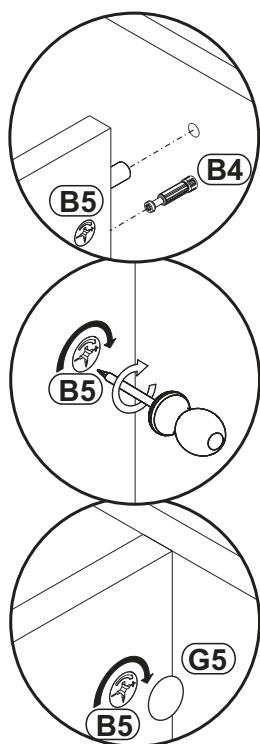
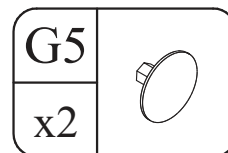
G5	
x2	



4



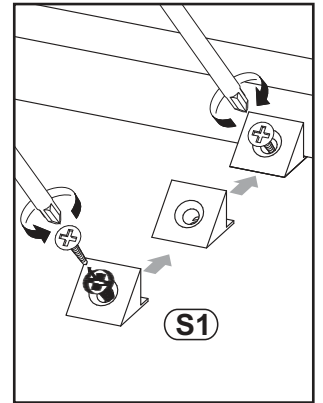
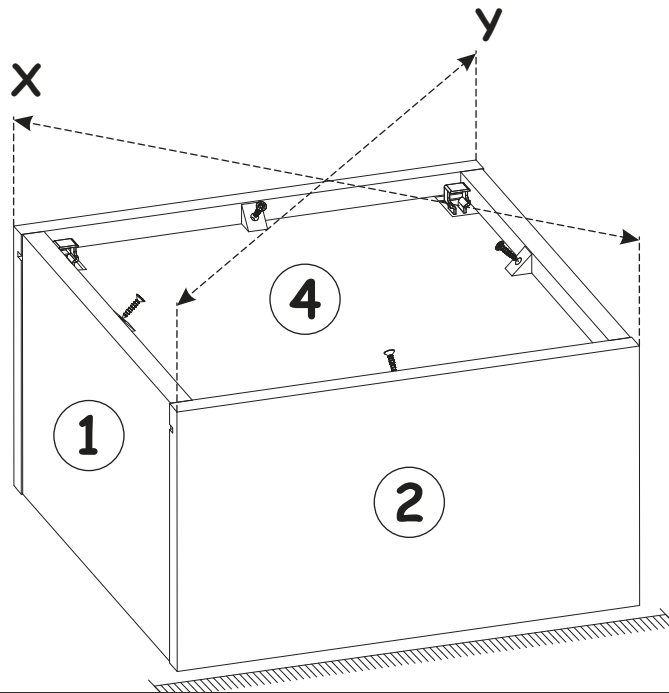
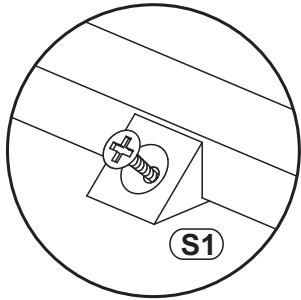
5



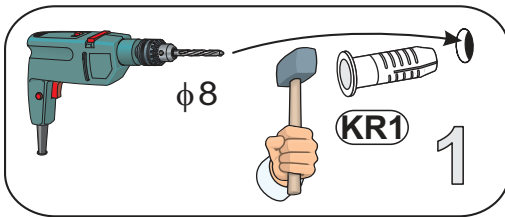
6



S1	
x4	

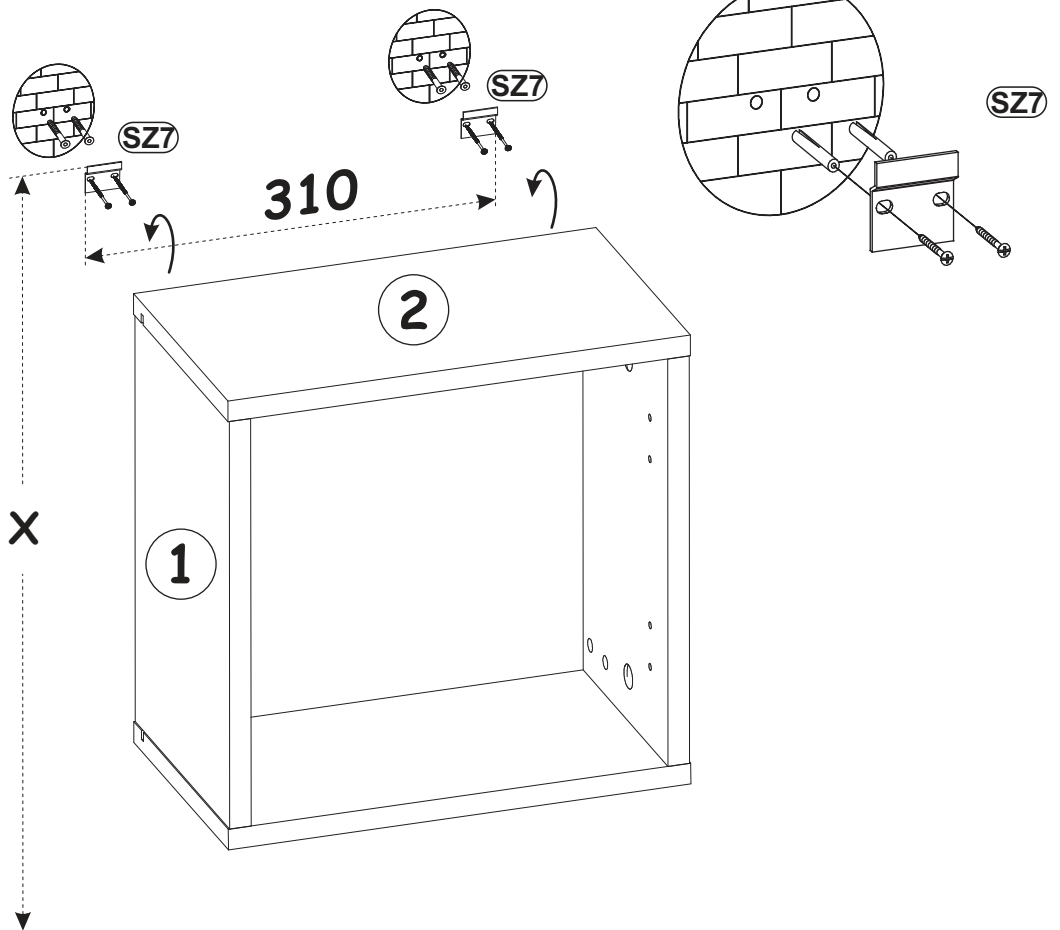


7

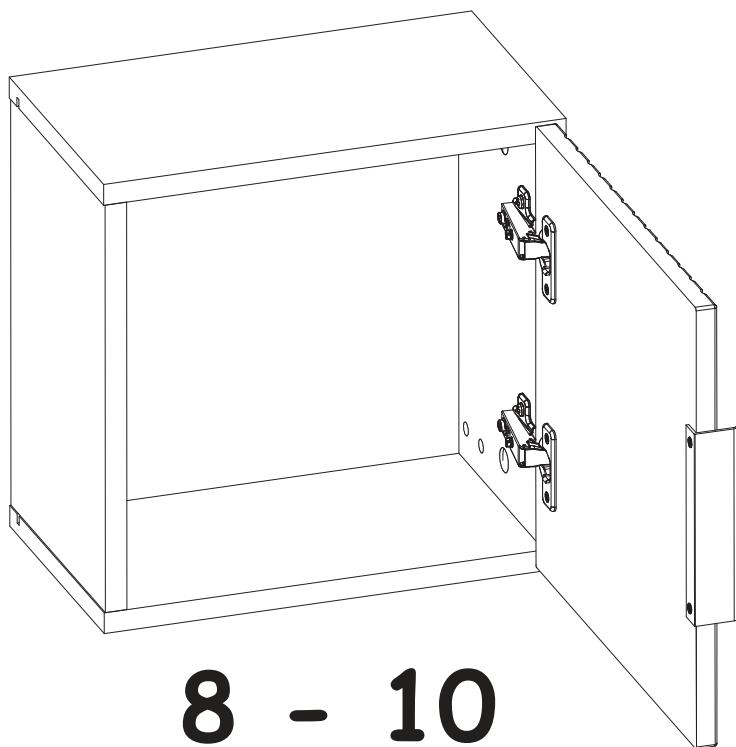


SZ7	
x2	

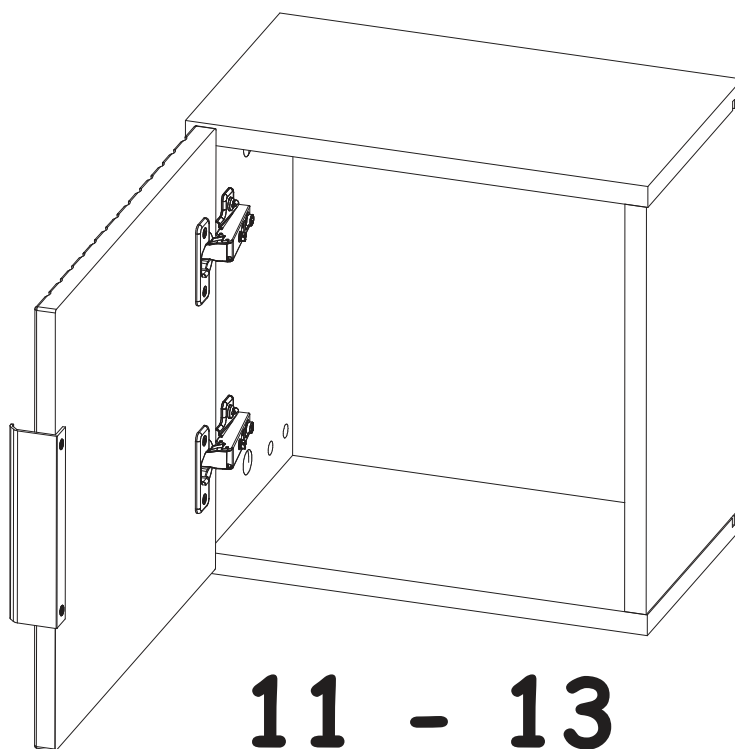
KR1	
x4	




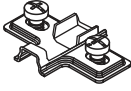




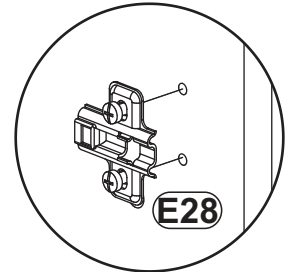
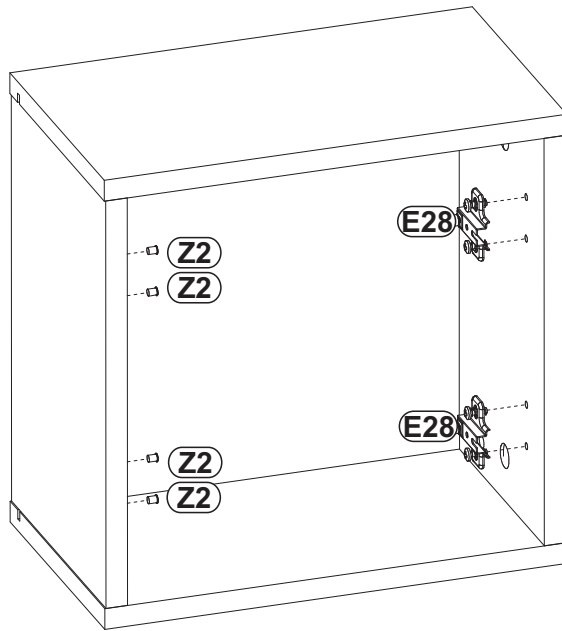
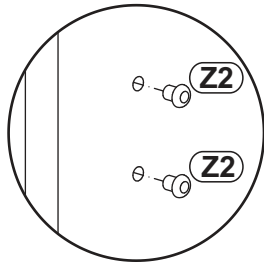
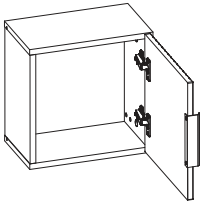
**8 - 10**



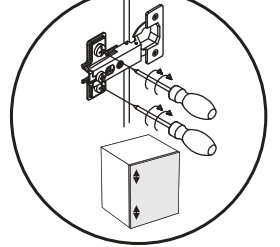
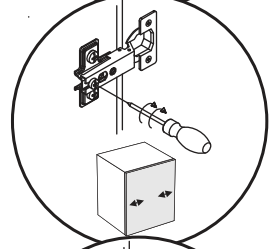
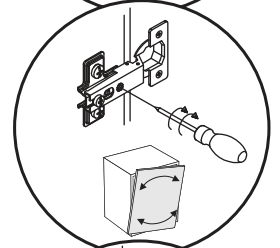
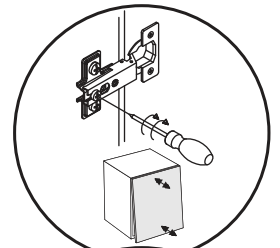
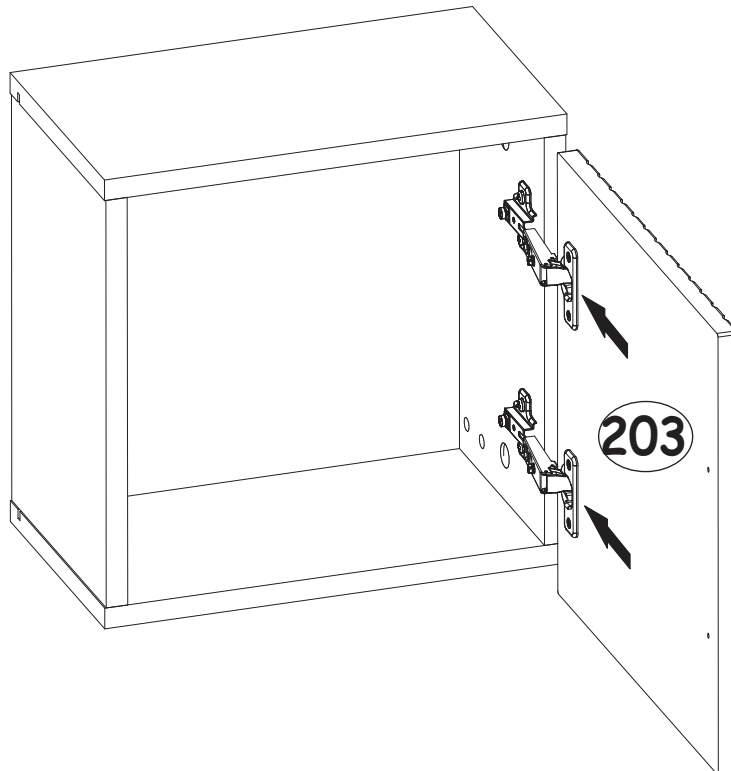
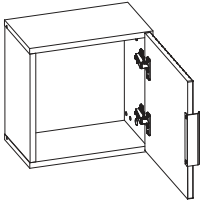
**11 - 13**

Z2		E28	
x4	Ø5	x2	H=0

8

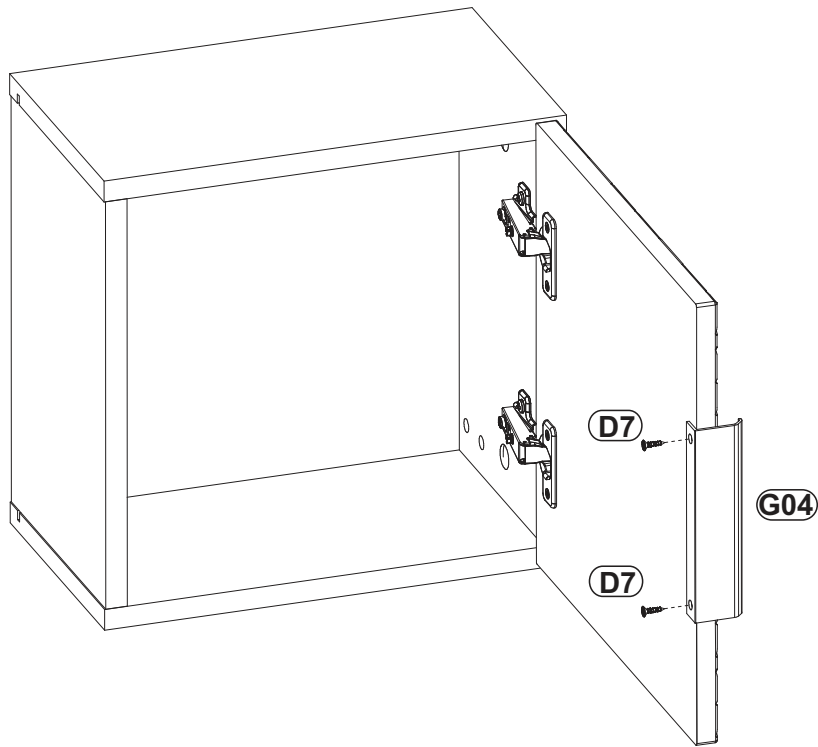
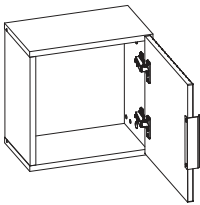


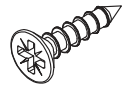

9



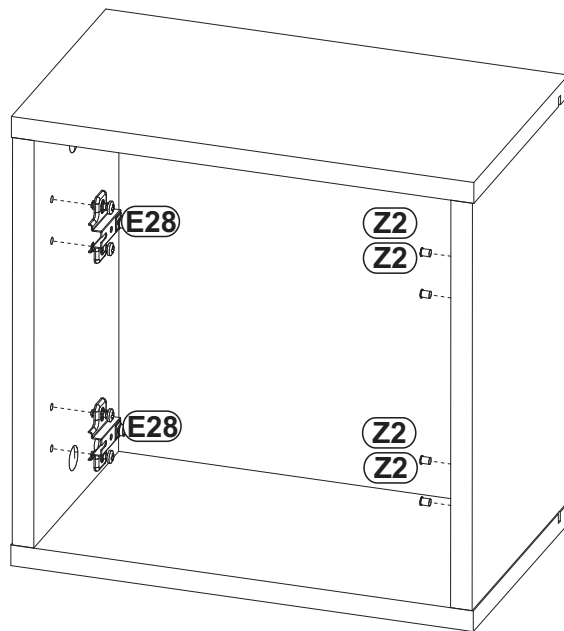
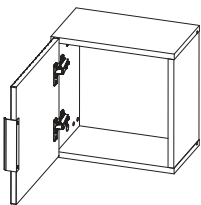
SZAFKA 1D 83-01-D-1D


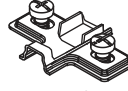
10

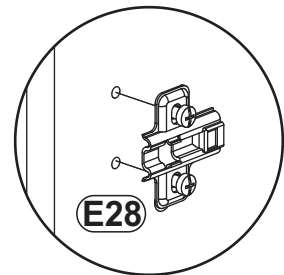
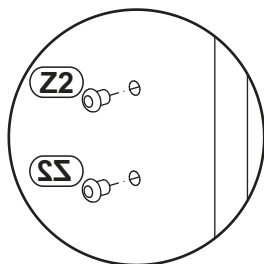


D7		G04	
x2	USØ3x16	x1	L-148mm.

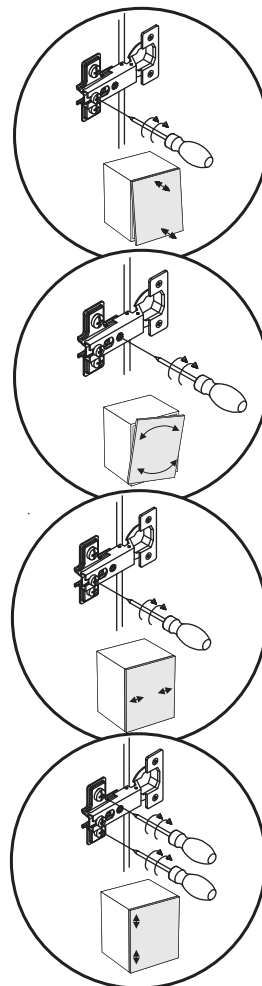
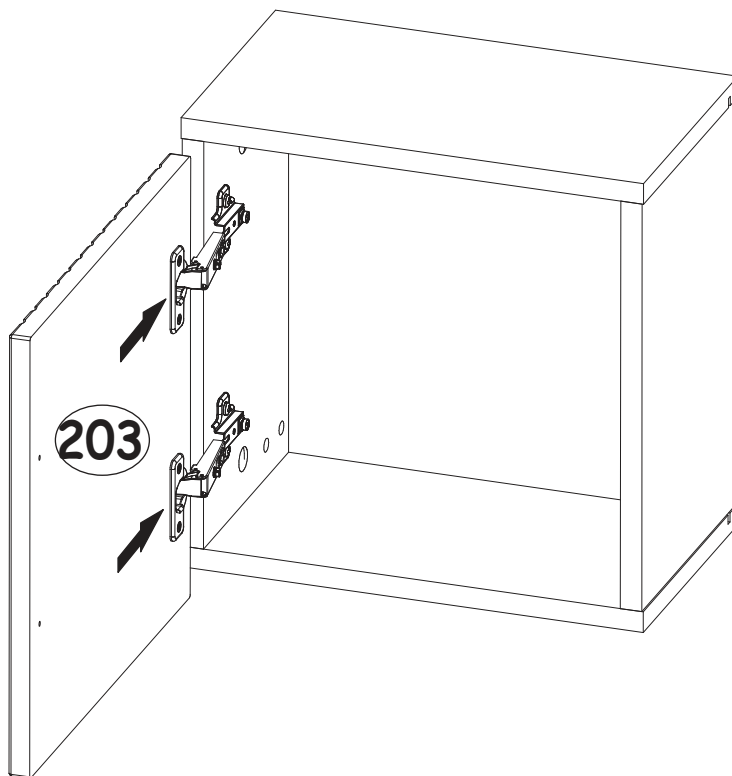
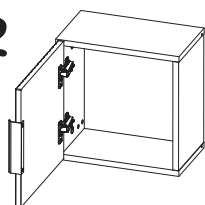
11



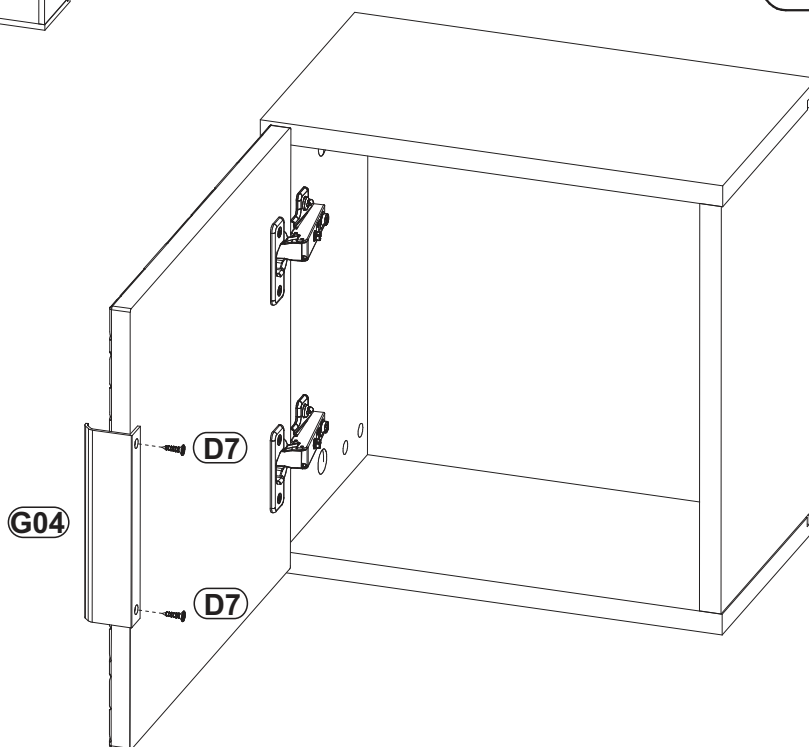
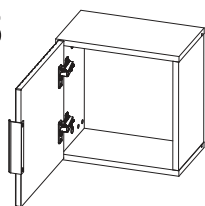
Z2		E28	
x4	Ø5	x2	H=0



12



13



D7		G04	
x2	USØ3x16	x1	L-148mm.

