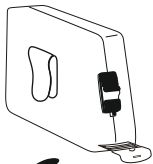
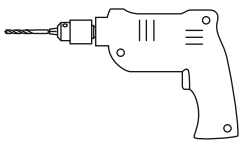
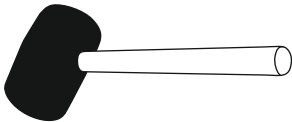
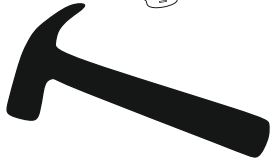


60 min

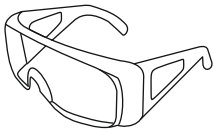


mm



Ø8

Ø10

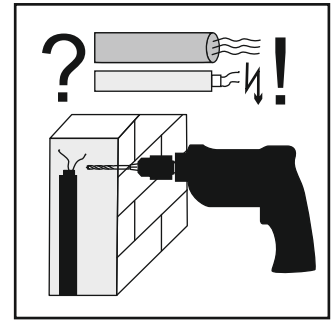
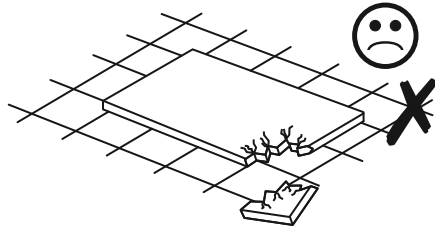
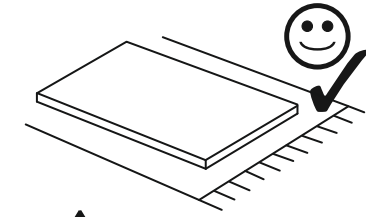


2 x Ø8

4 x Ø10



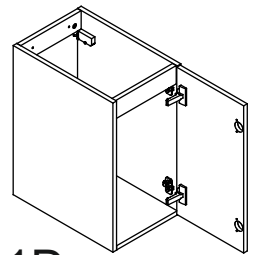
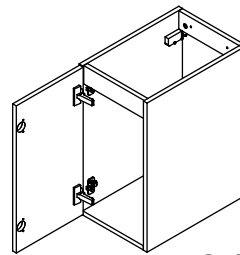
0



VARIANT

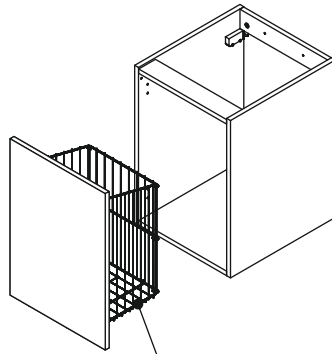
L

R

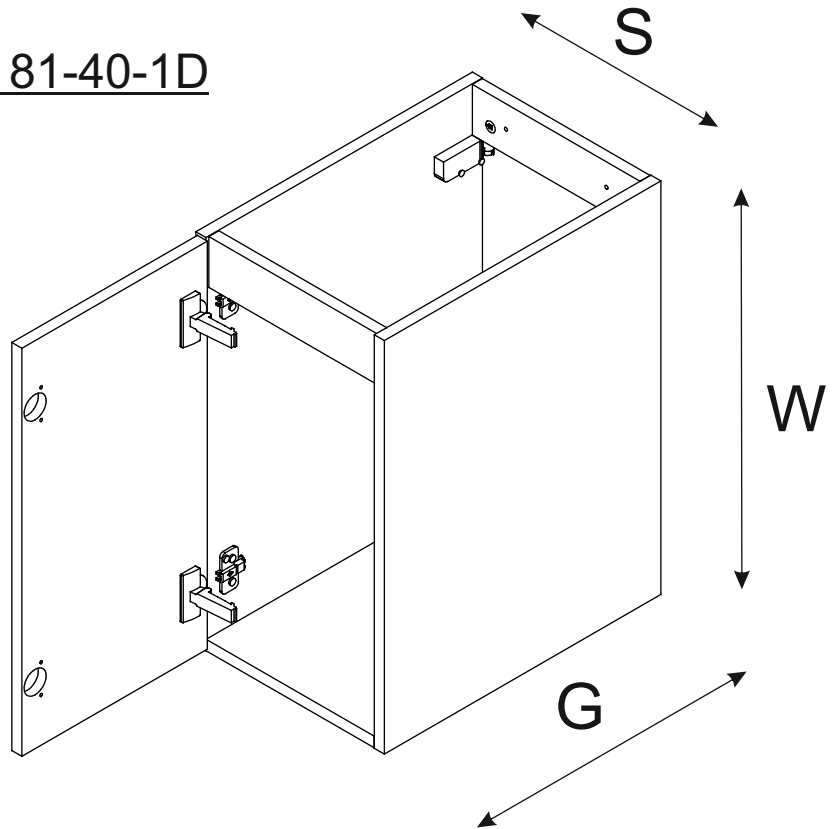


81-30-1D

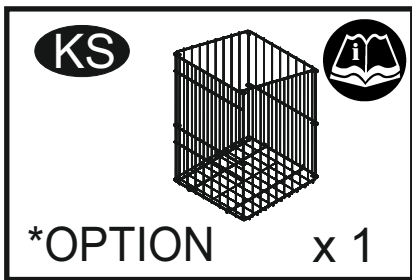
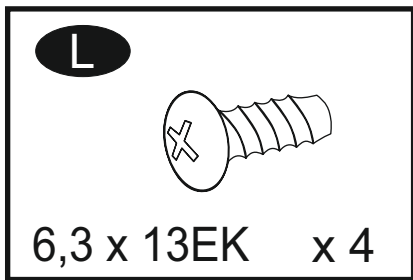
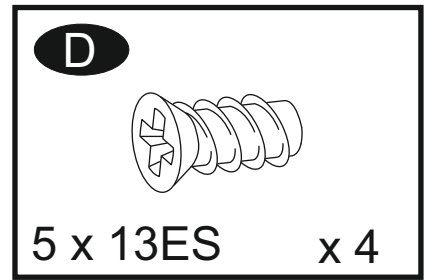
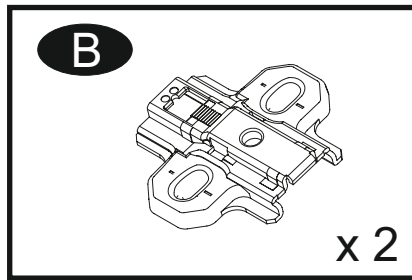
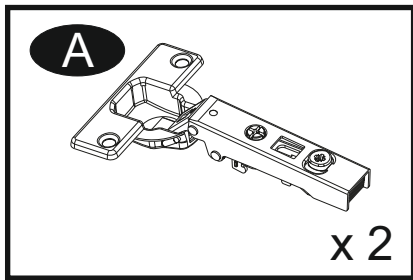
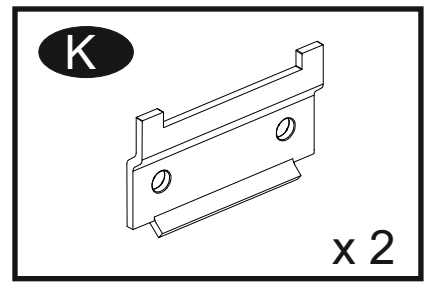
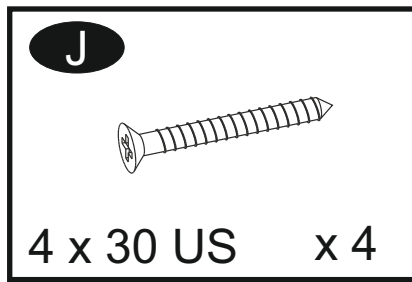
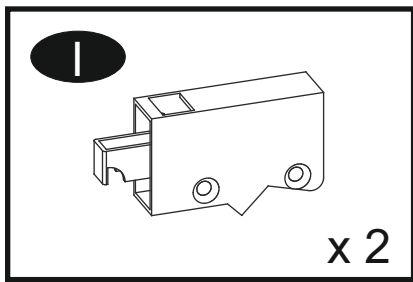
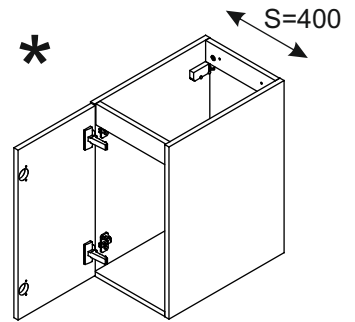
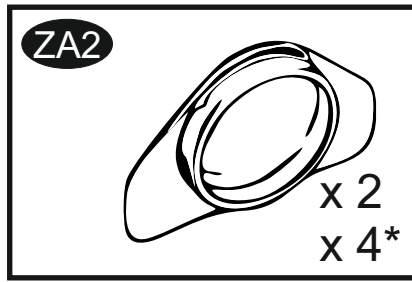
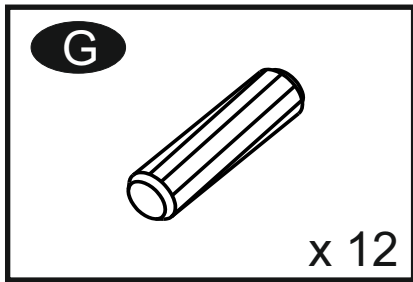
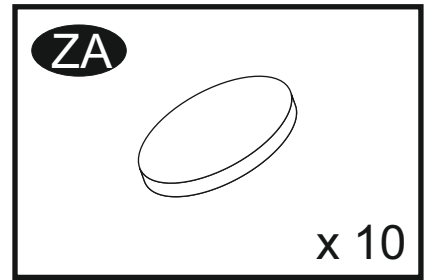
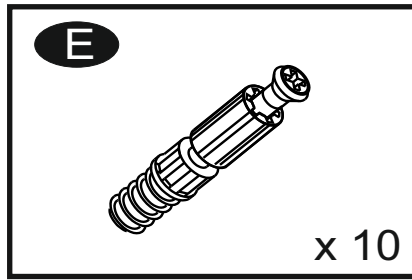
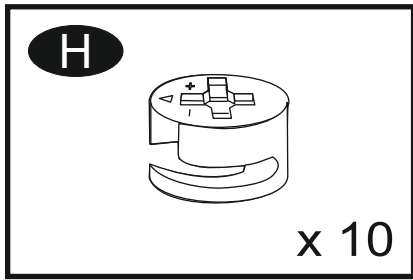
81-40-1D



OPTION 81-40-1D

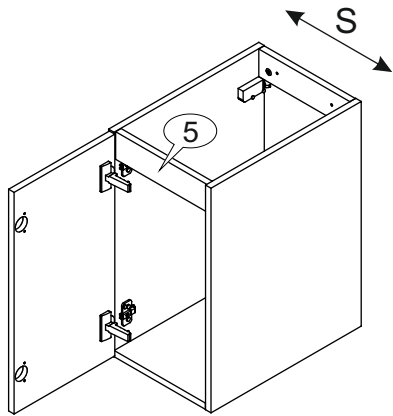


S [mm]	W [mm]	G [mm]
300	570	440
400	570	440



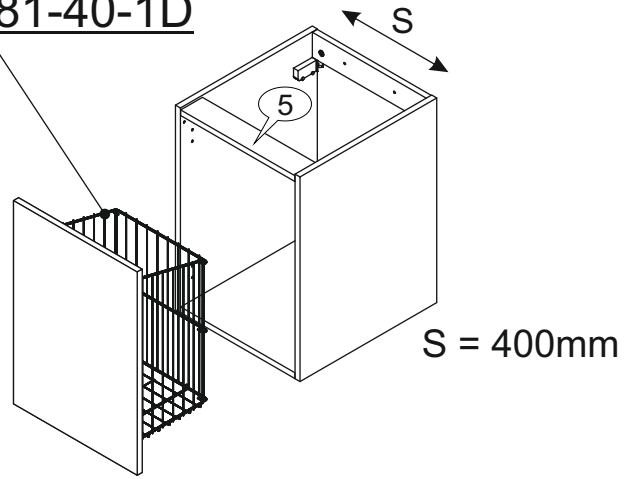
0

81-30-1D
81-40-1D

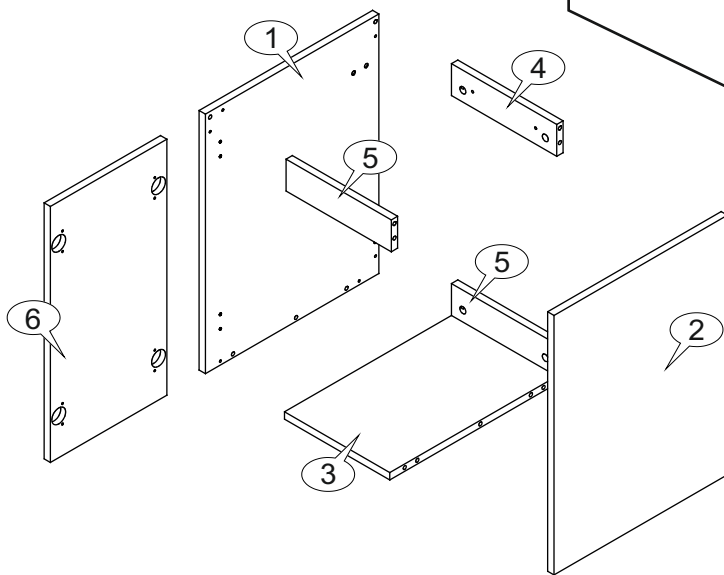
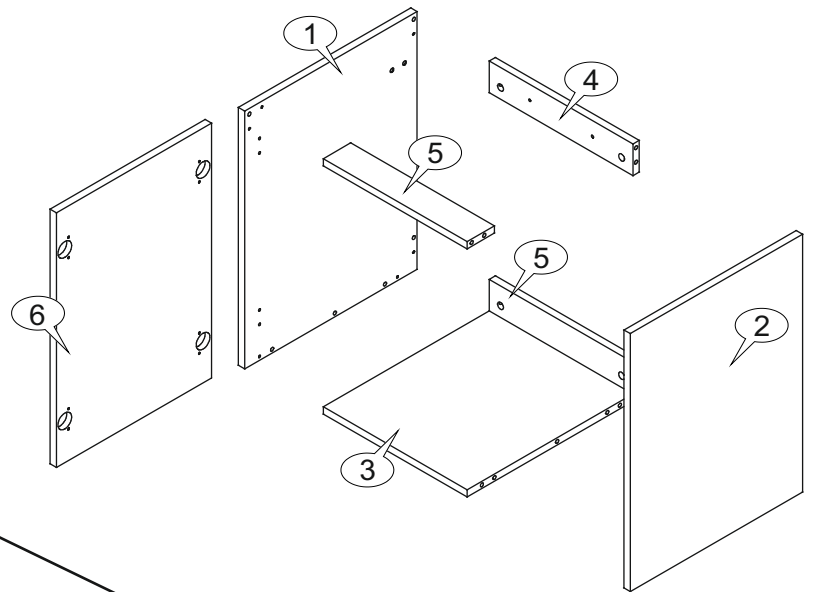


S = 300mm
S = 400mm

OPTION 81-40-1D



S = 400mm



1	440	570	x 1
2	440	570	x 1
3	S-33mm	440	x 1
4	S-33mm	70	x 1
5	S-33mm	70	x 2
6	S-4mm	563	x 1

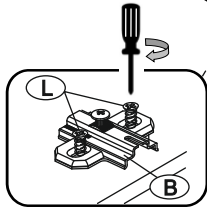
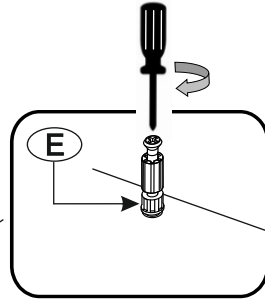
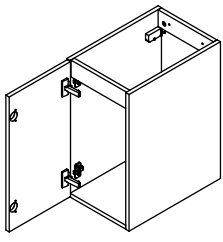


0

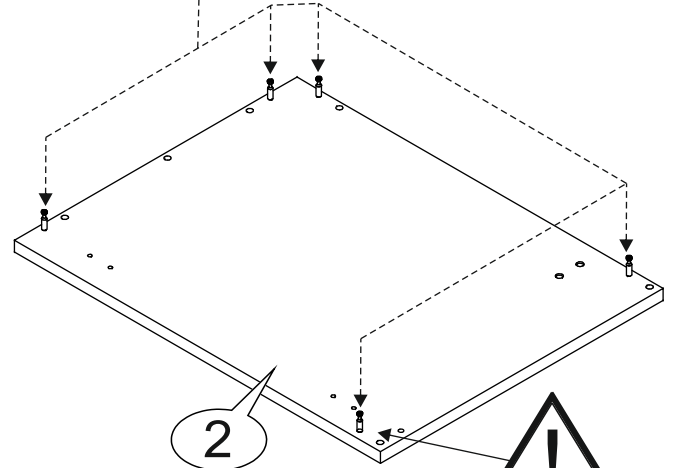
1

VARIANT 81-30-1D
81-40-1D

L

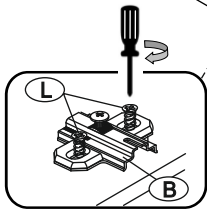
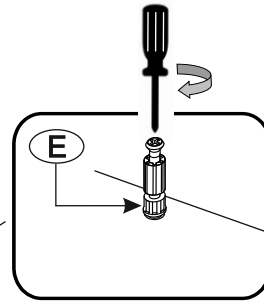
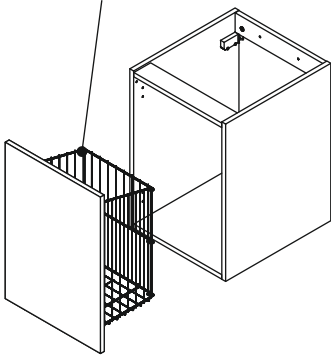


1

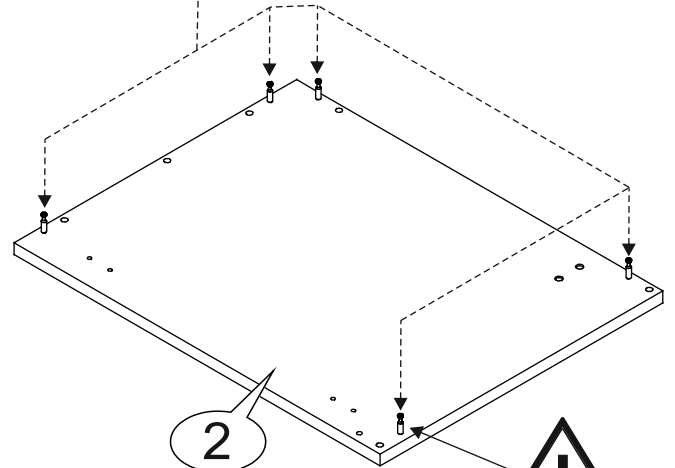


1

OPTION 81-40-1D



1

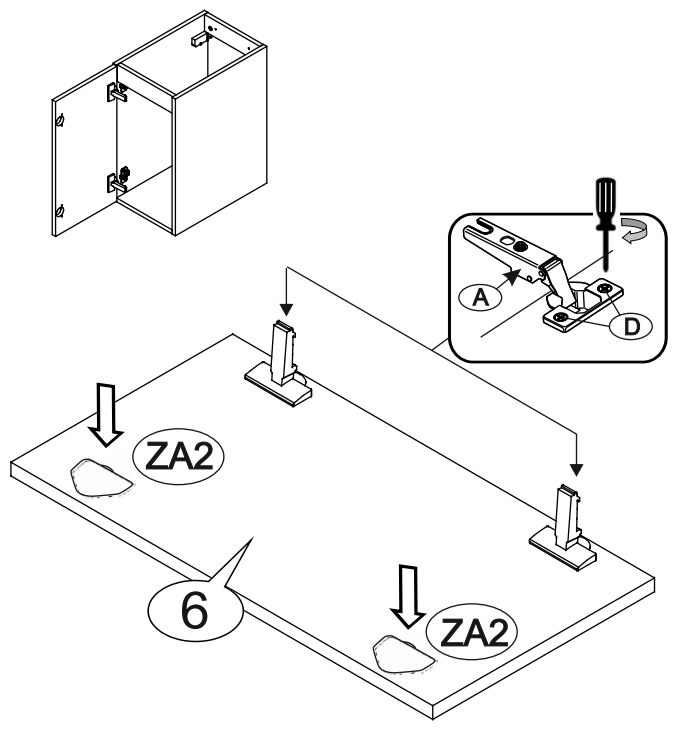


2

VARIANT

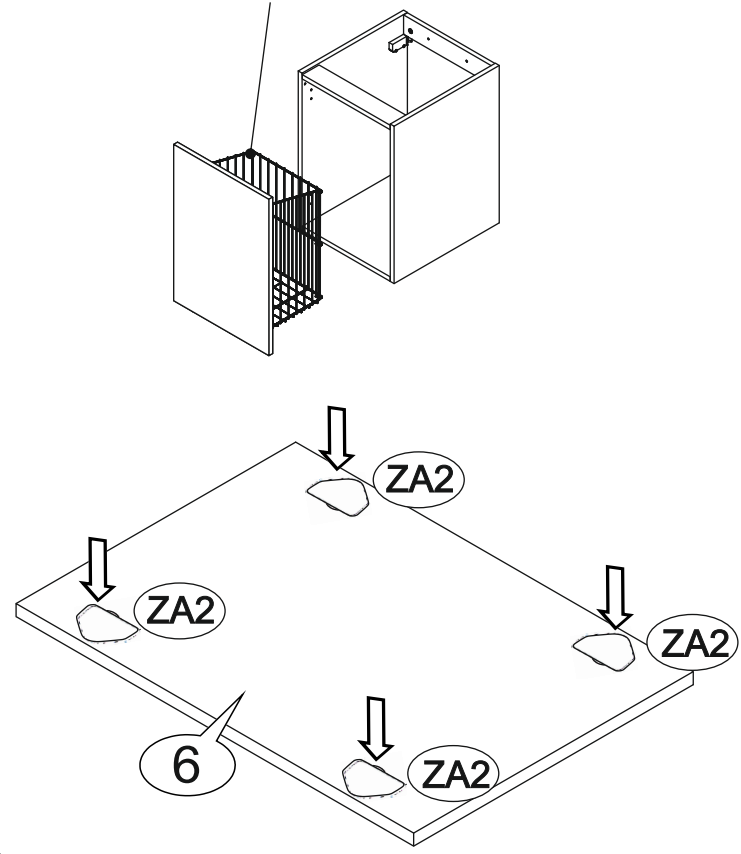
81-30-1D
81-40-1D

L

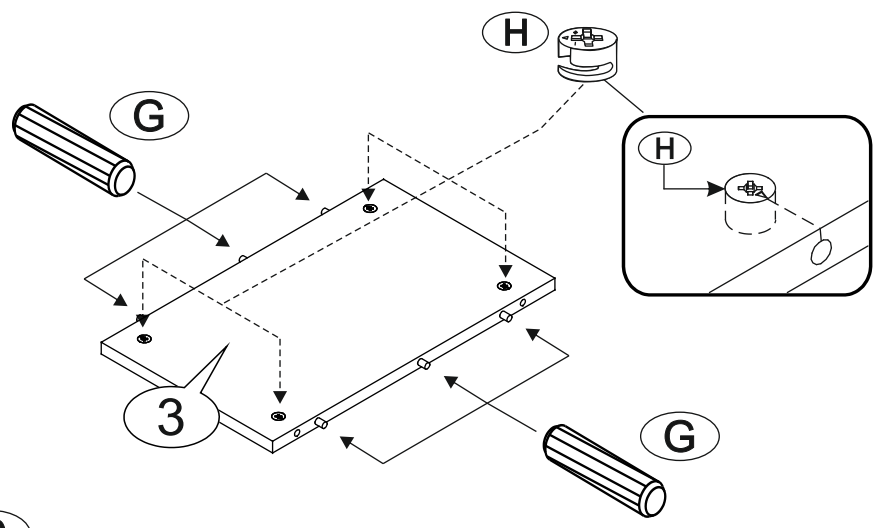
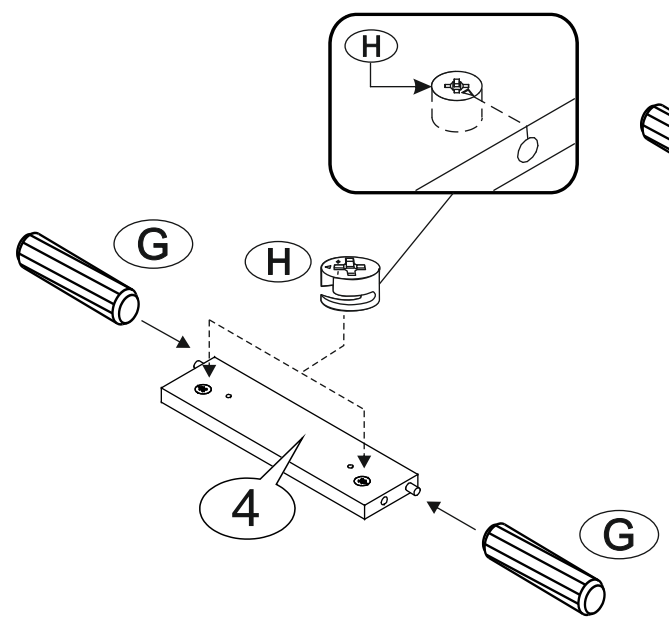
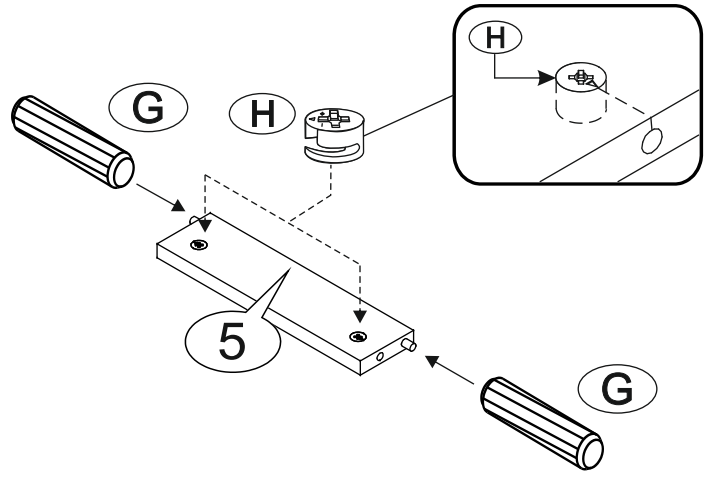


2

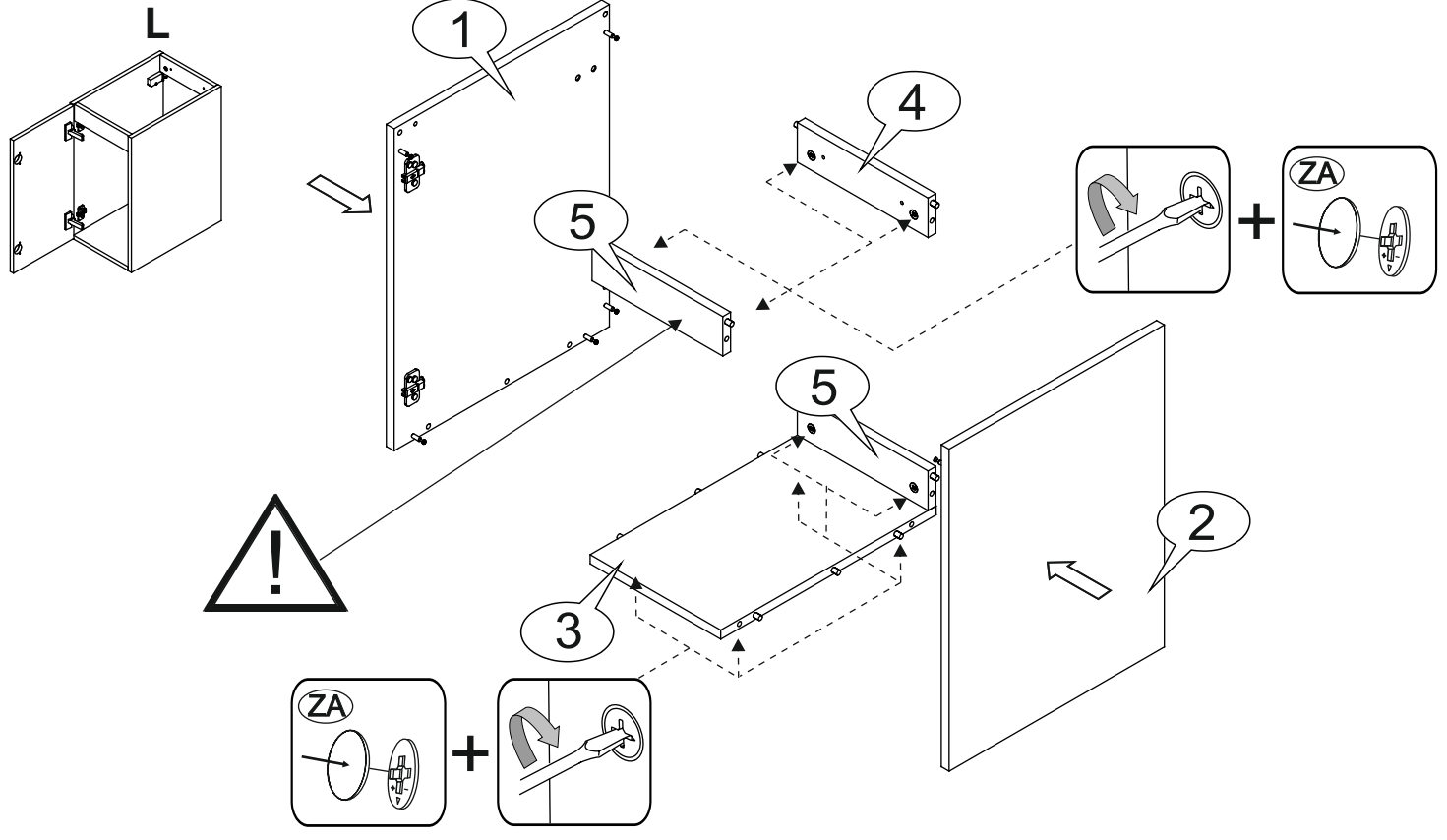
OPTION 81-40-1D



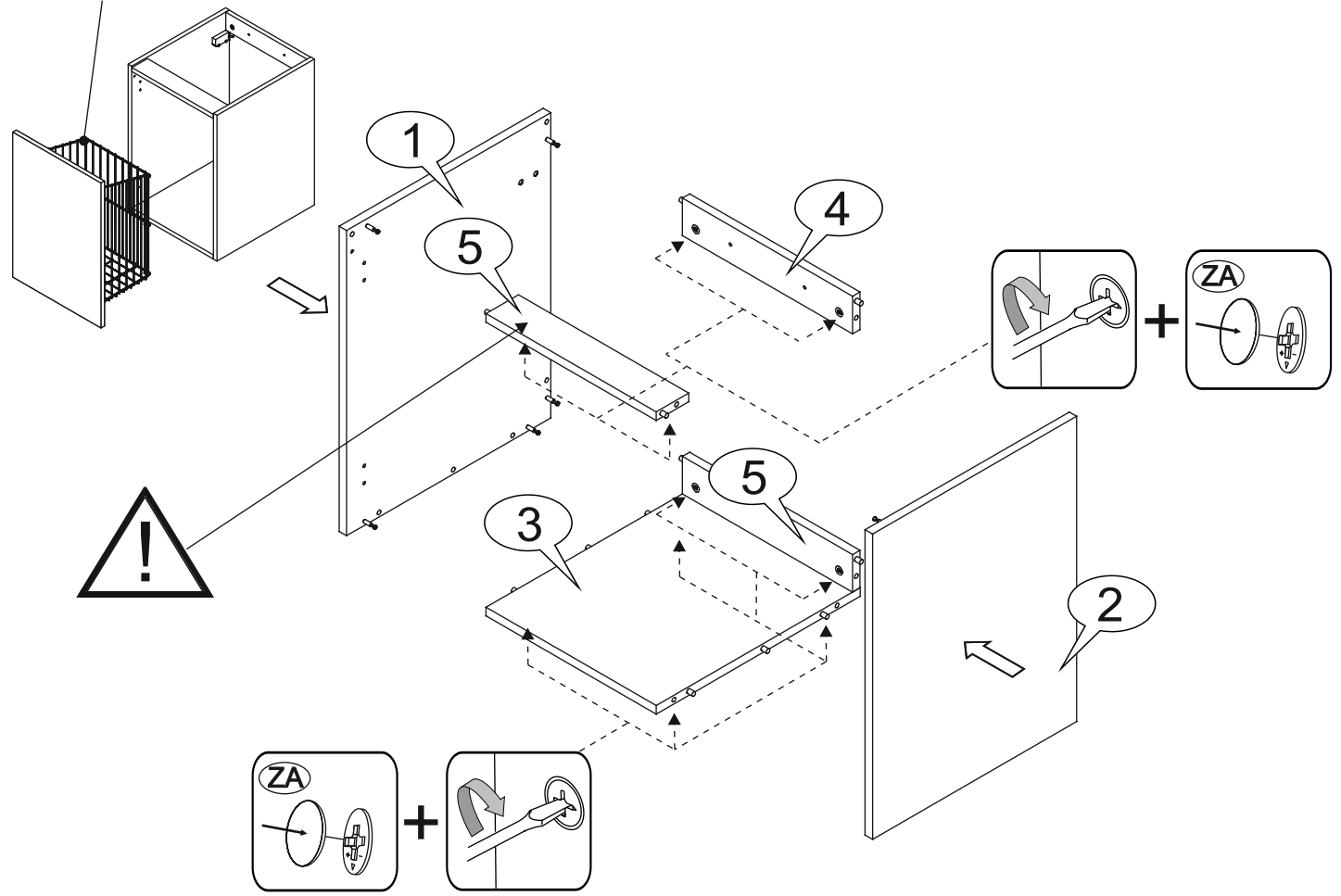
3



VARIANT 81-30-1D
81-40-1D



OPTION 81-40-1D

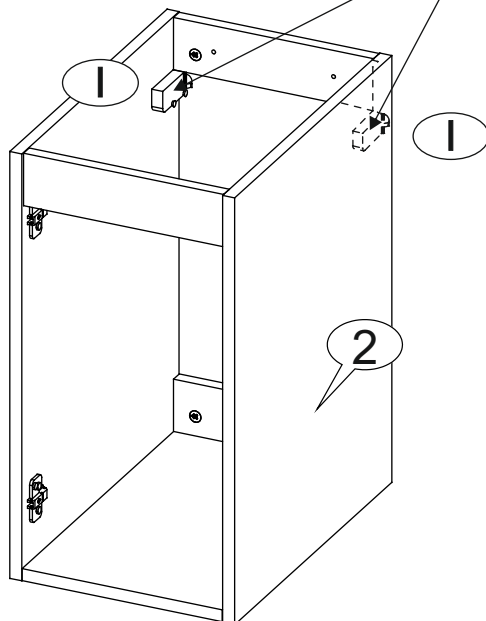
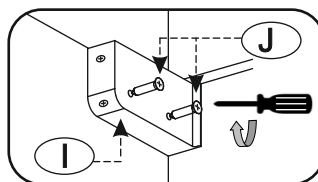
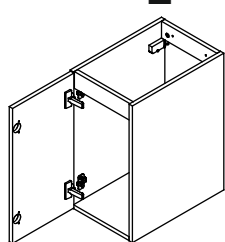


VARIANT

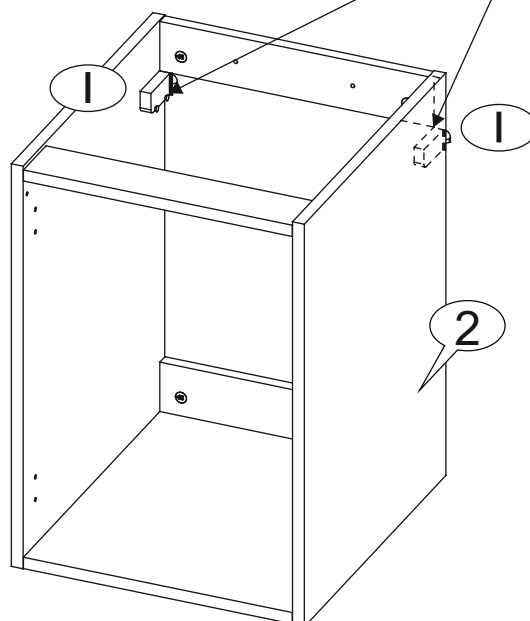
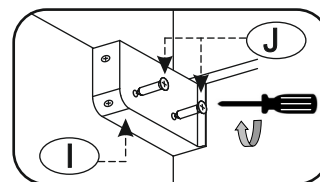
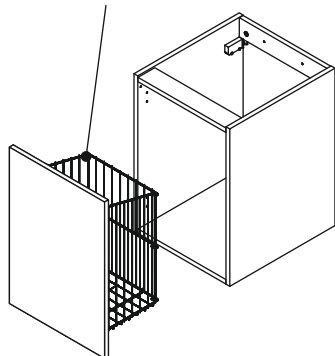
81-30-1D

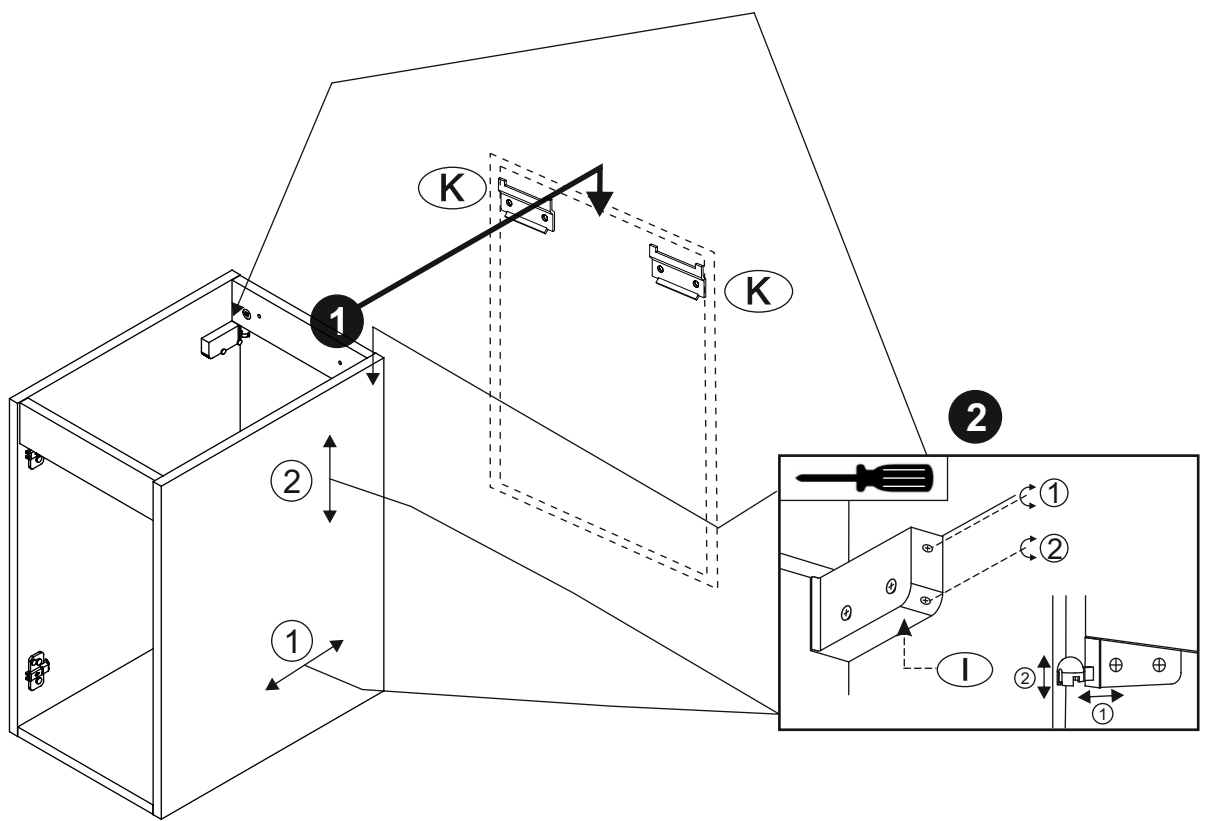
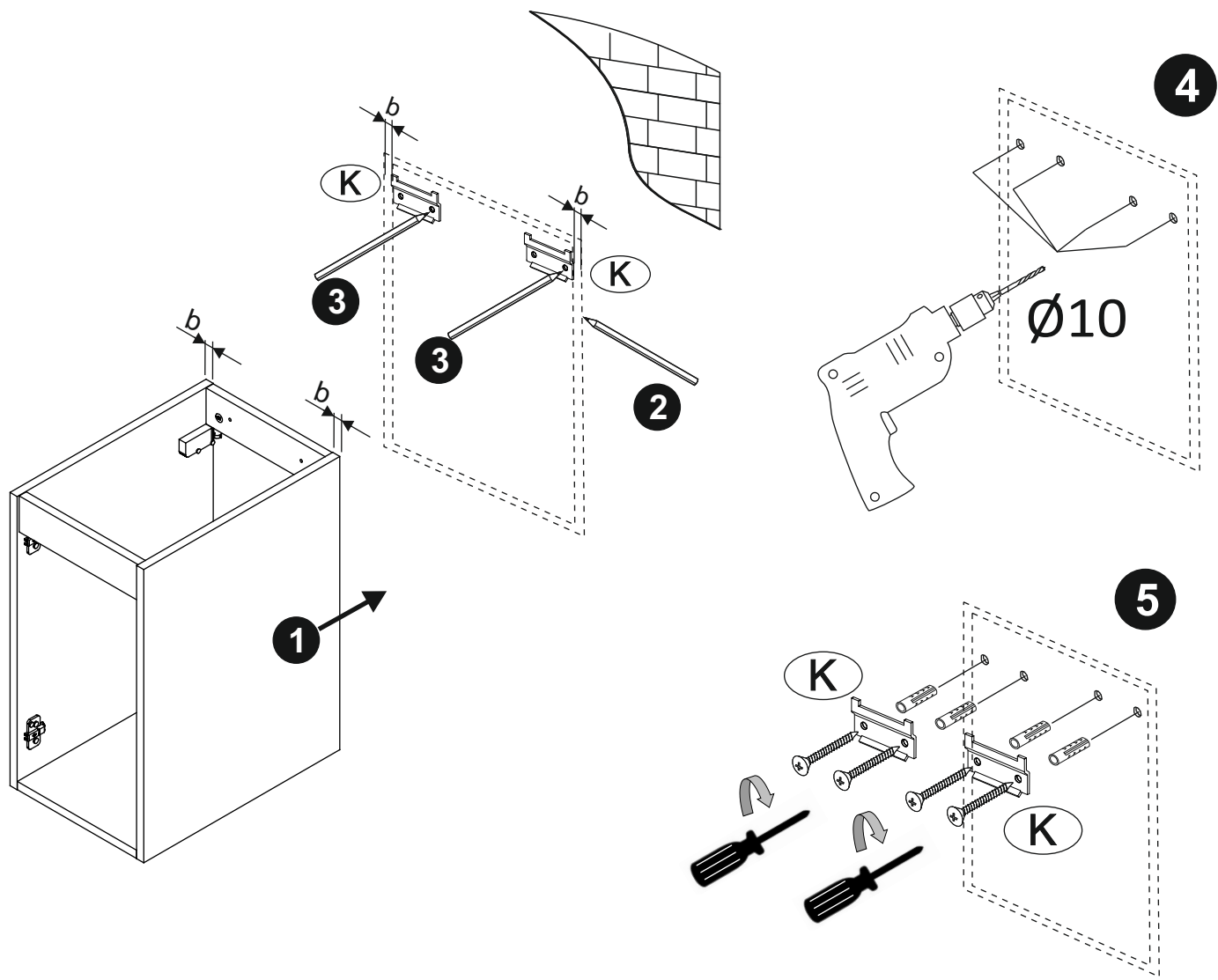
81-40-1D

L

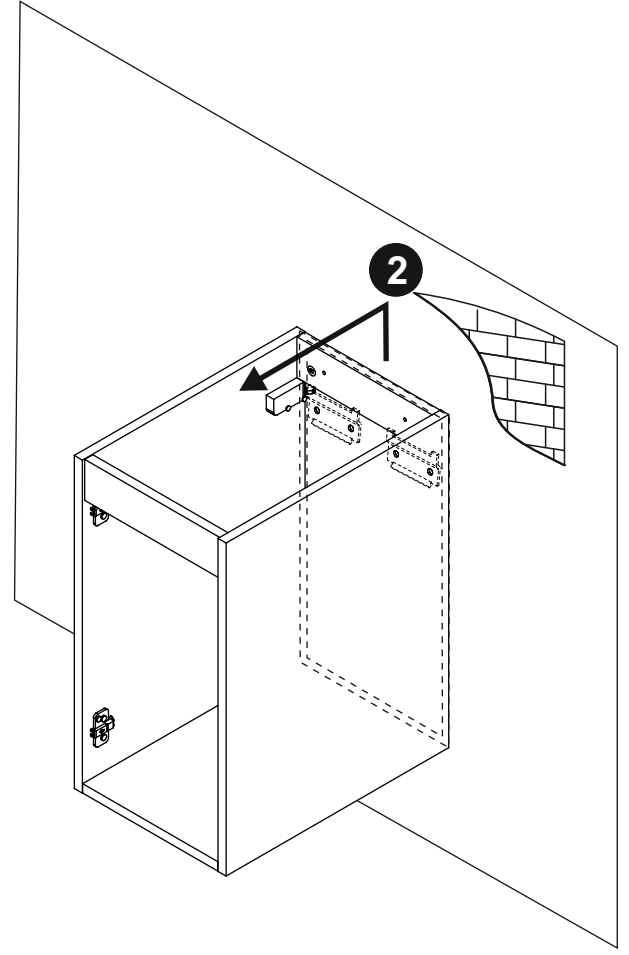
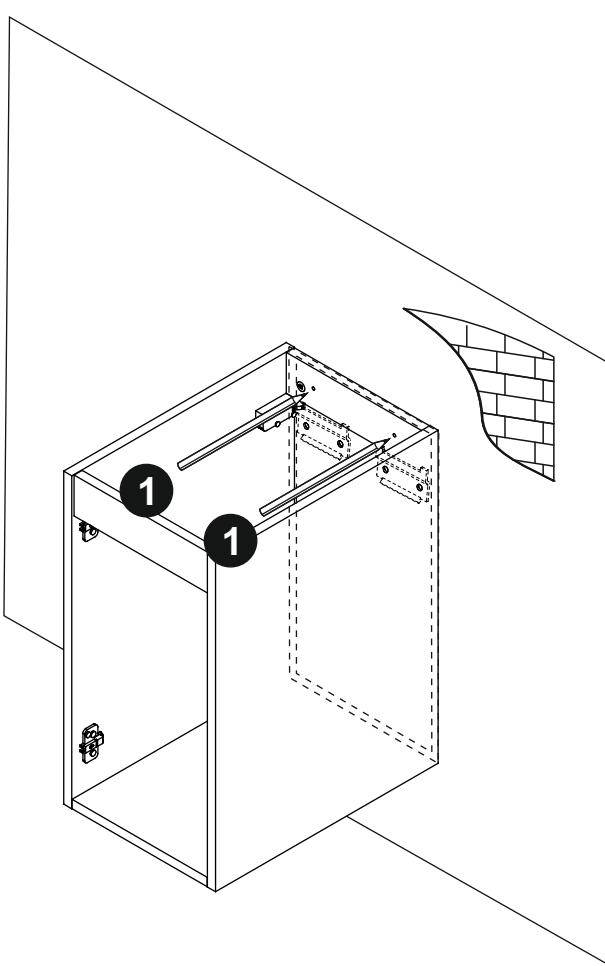


OPTION 81-40-1D

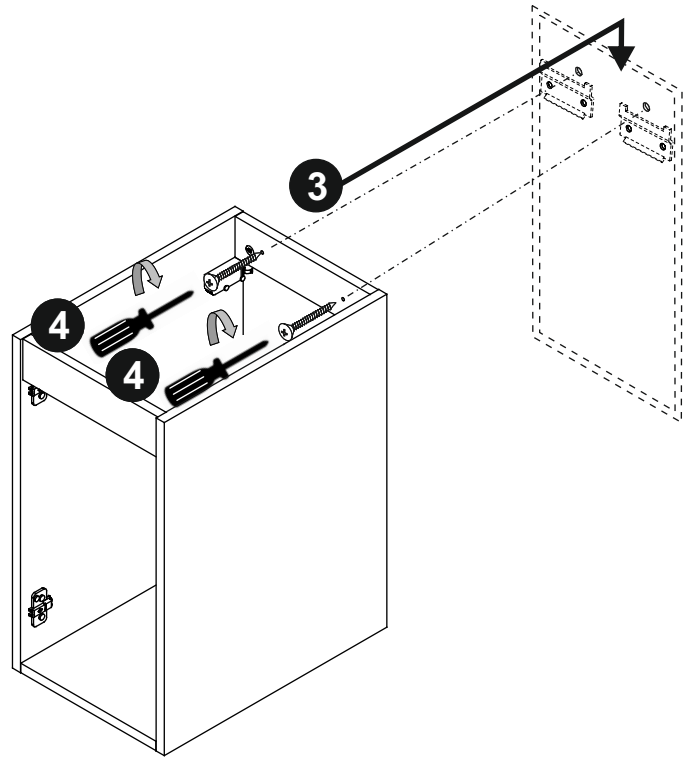
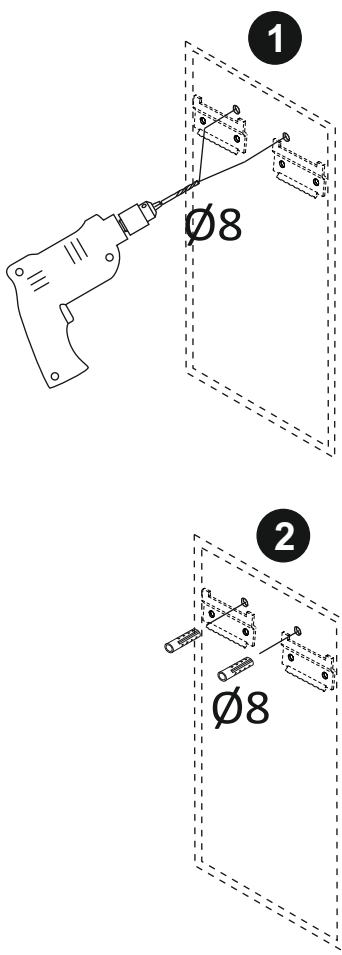




8

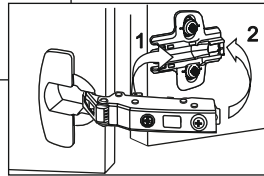
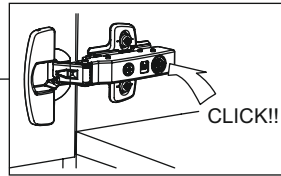
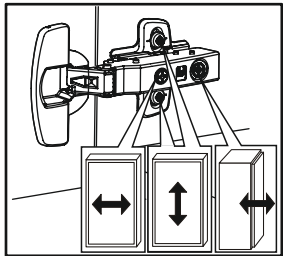
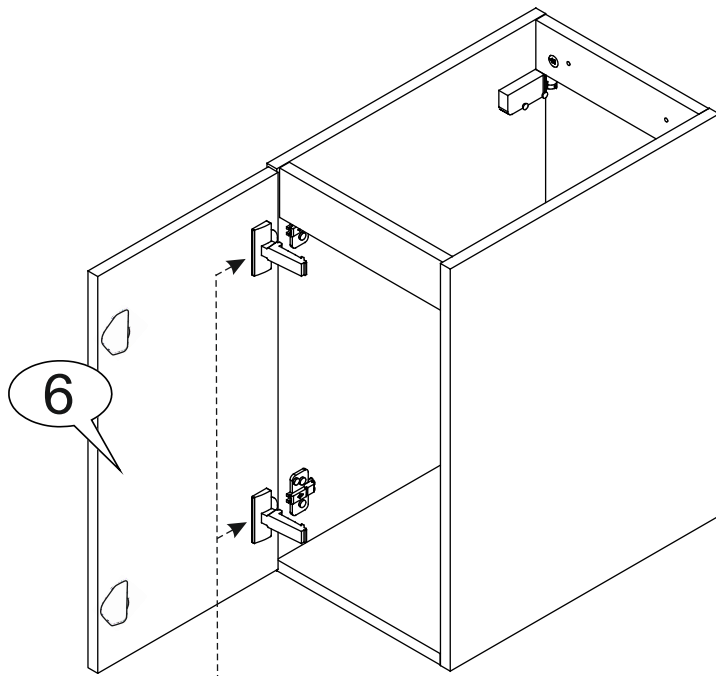
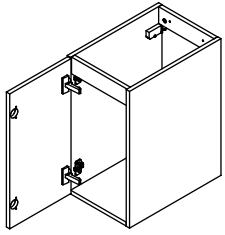


9



VARIANT 81-30-1D
81-40-1D

L



OPTION 81-40-1D

