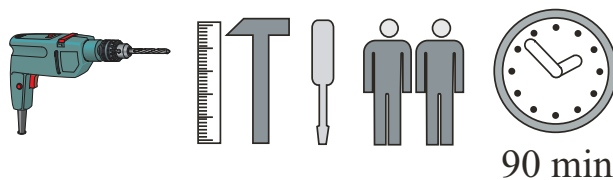
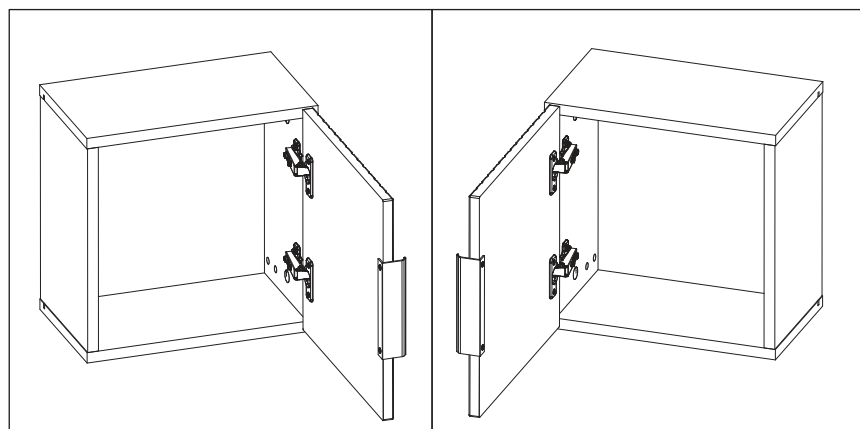
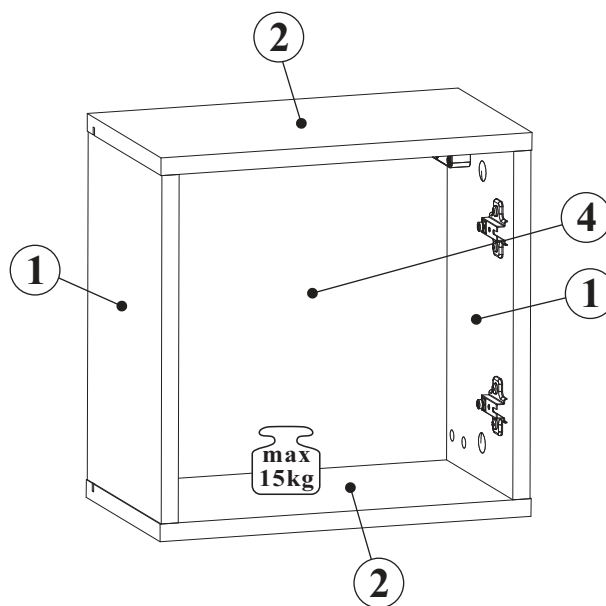
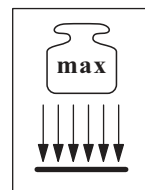
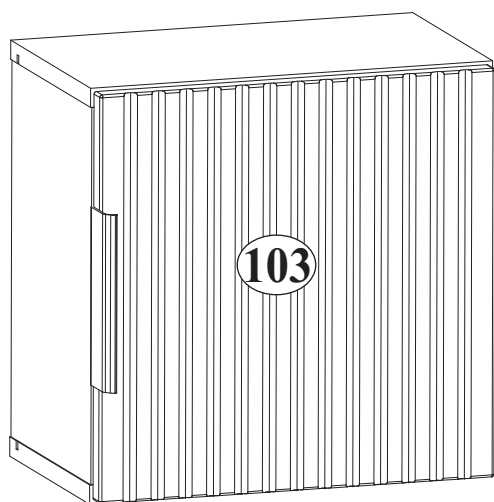
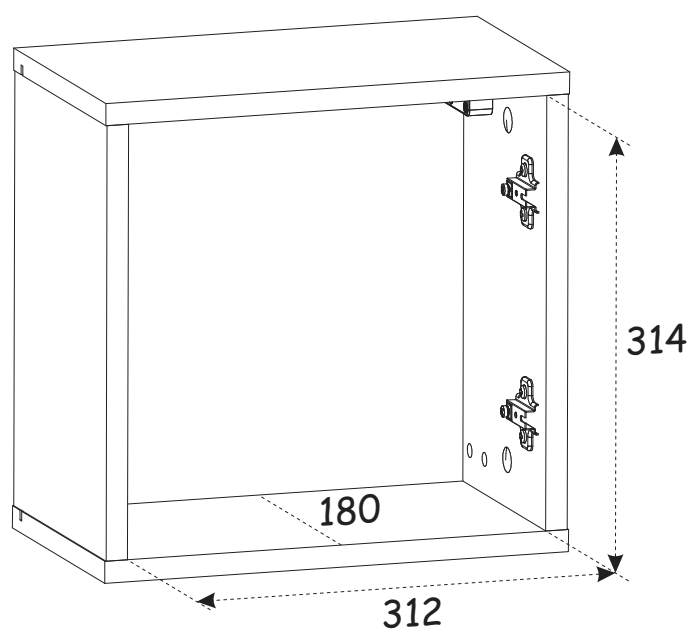
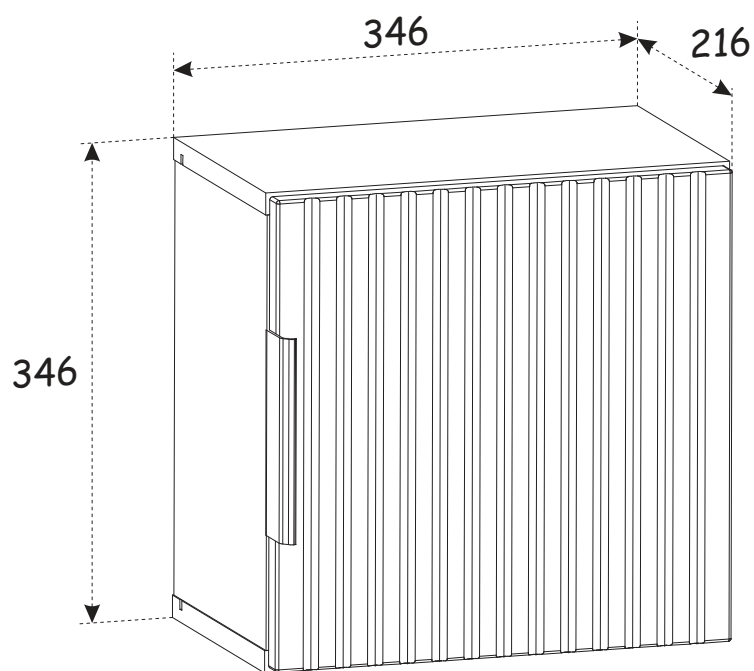


# XILO - SZAFKA 1D 83-01-B-1D

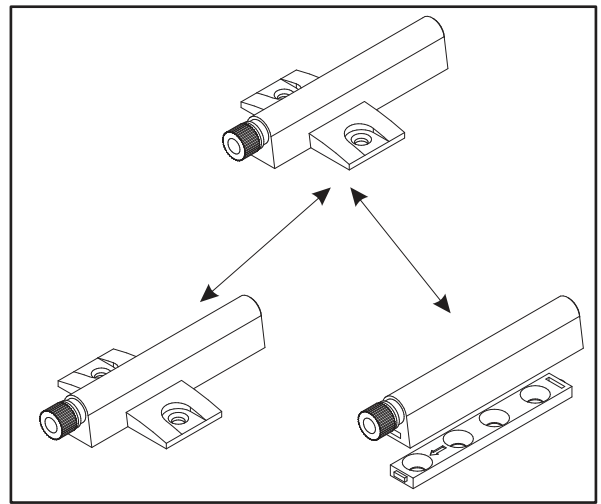
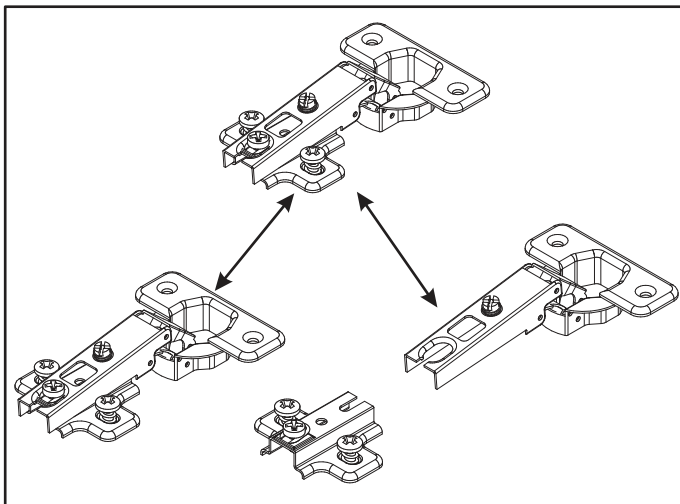
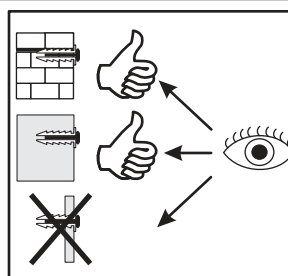
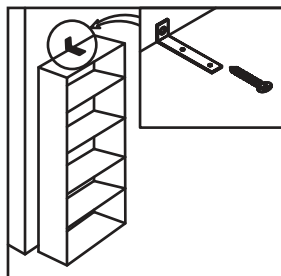
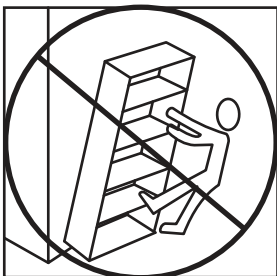
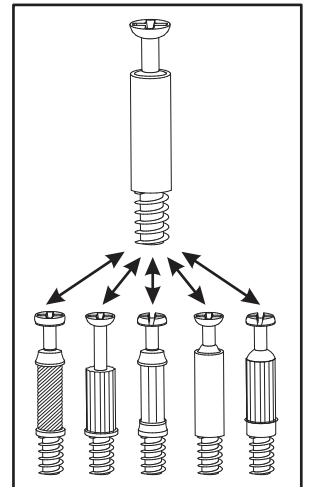
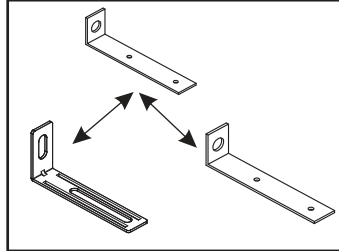
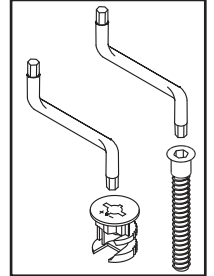
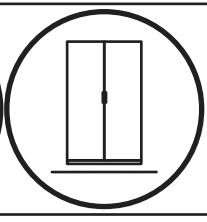
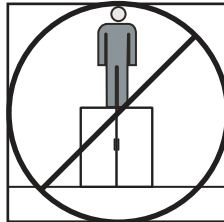
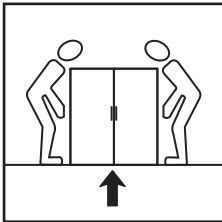
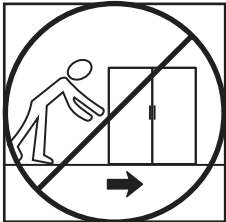
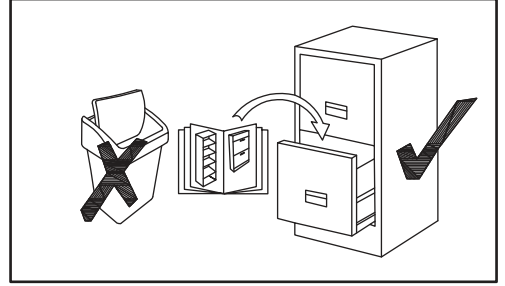
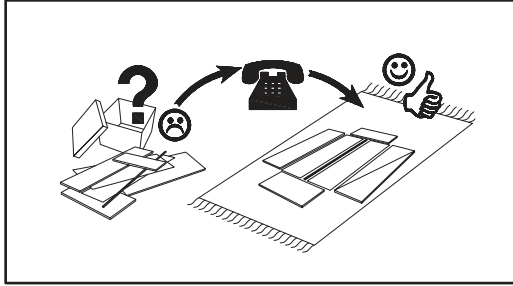
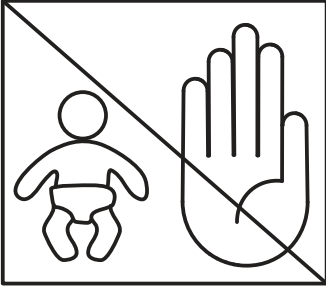
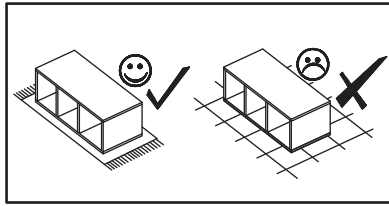
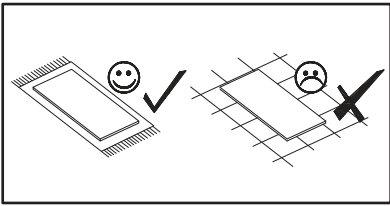


NO	Dim. [mm]			Col.-No	Qty
1	314	200	16	1	2
2	346	200	16	1	2
103	340	340	16	1	1
4	326	324	3	1	1

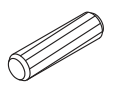
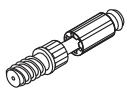




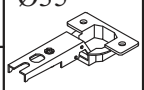
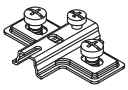
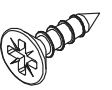



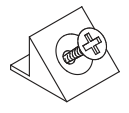
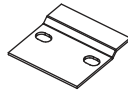
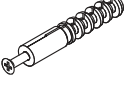



# XILO - SZAFKA 1D 83-01-B-1D

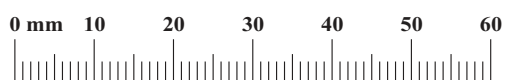


XILO  
SZAFKA 1D 83-01-B-1D



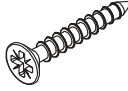
XILO  
SZAFKA 1D 83-01-B-1D


A1 x8  ø8x36	B4 x4 	B5 x4  ø15x12	G5 x4 	ZXP x1 	ZXL x1 
E21 x2  Ø35	E2 x2  H=0	D10 x4  USØ3,5x13	G04 x1  L-148mm.	Z2 x4  Ø5	Z5 x4  Ø10
S1 x4 	SZ7 x2 	KR1 x4 	D7 x2  USØ3x16	D6 x4  USØ3,5x30	G2 x1 

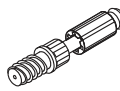



XILO  
SZAFKA 1D 83-01-B-1D


1

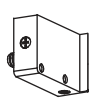
D6	
x4	USØ3,5x30

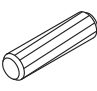
Z5	
x4	Ø10

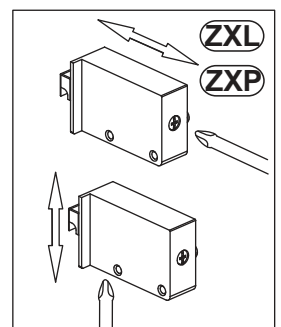
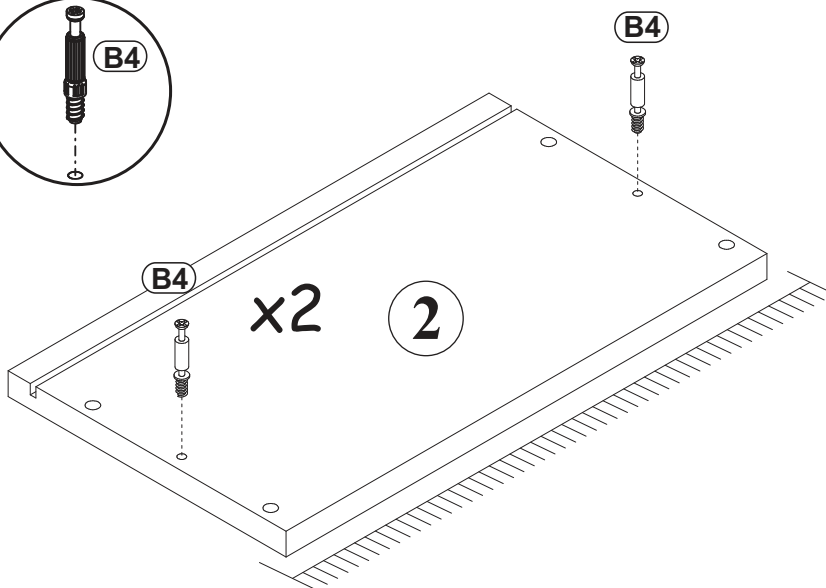
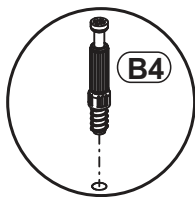
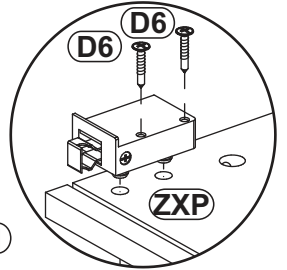
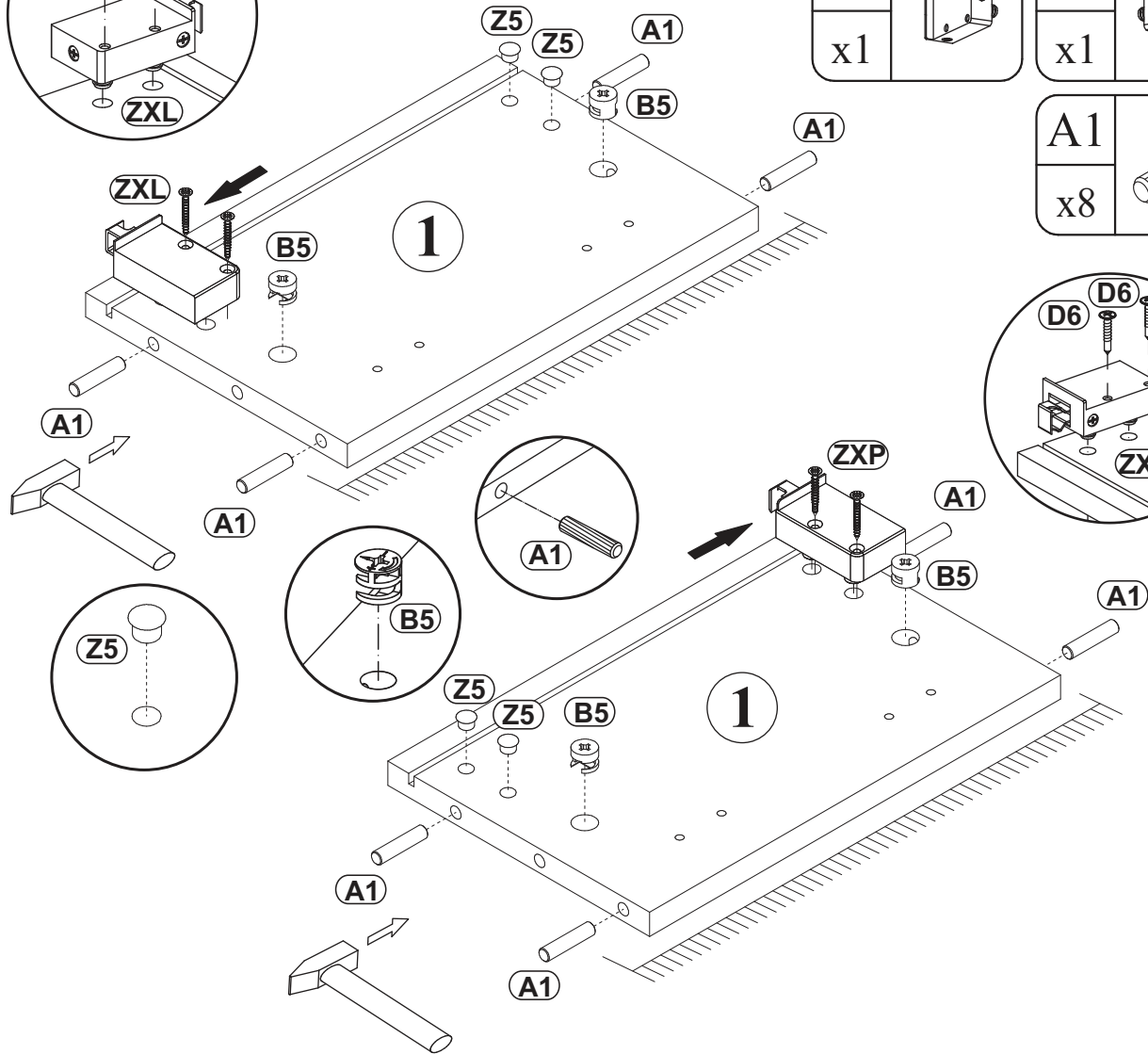
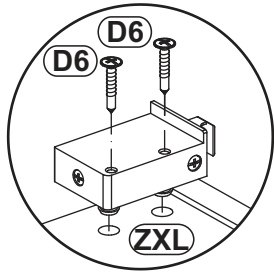
B4	
x4	

B5	
x4	Ø15x12


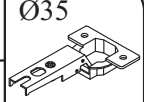
ZXP	
x1	

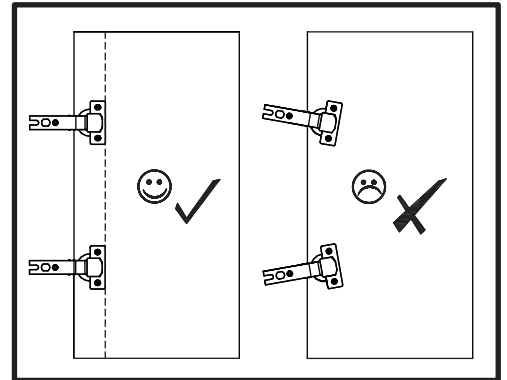
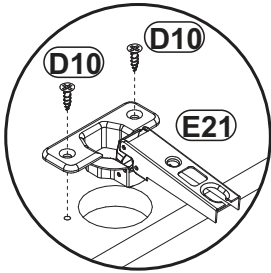
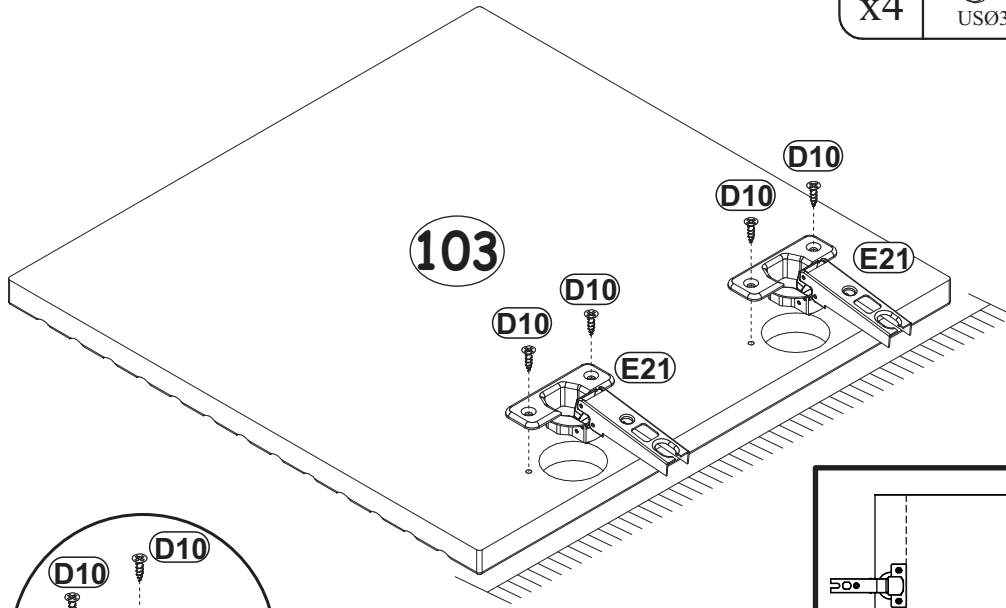
ZXL	
x1	

A1	
x8	Ø8x36




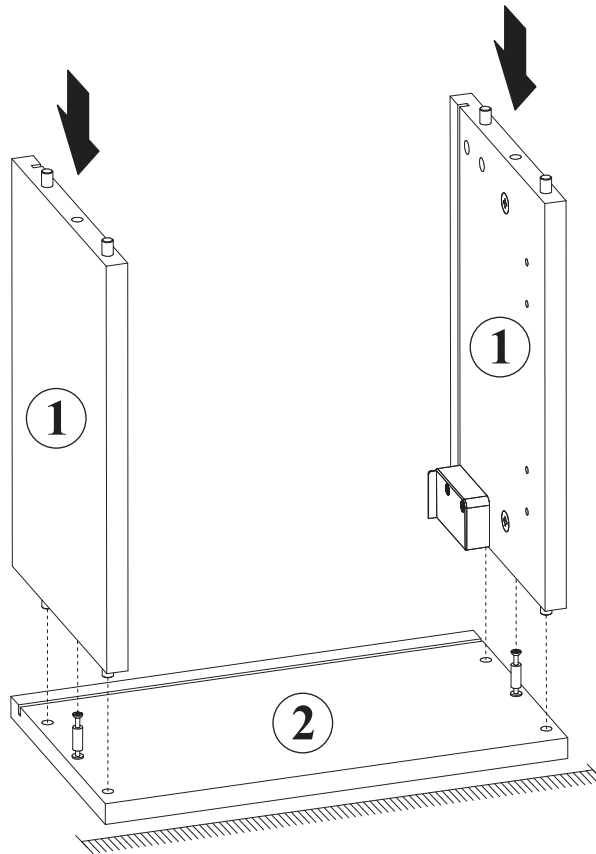
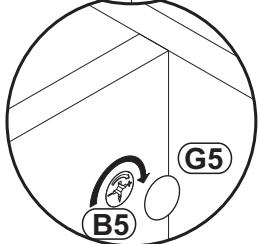
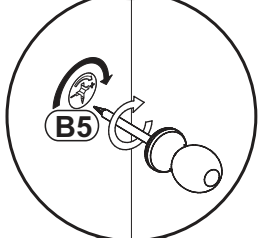
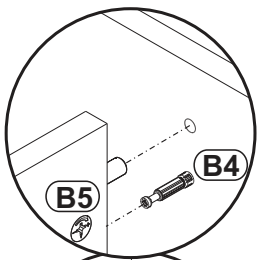
2

D10	 USØ3,5x13	E21	 Ø35
x4		x2	

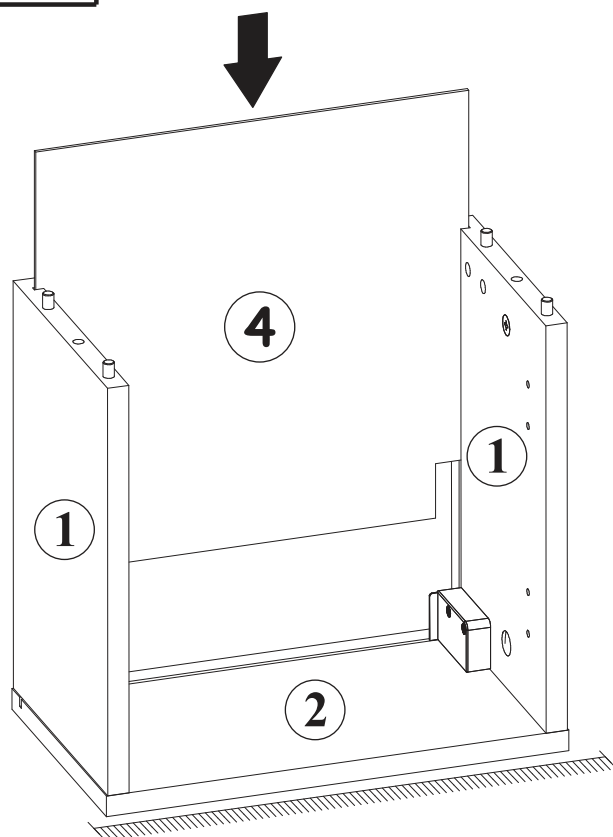


3

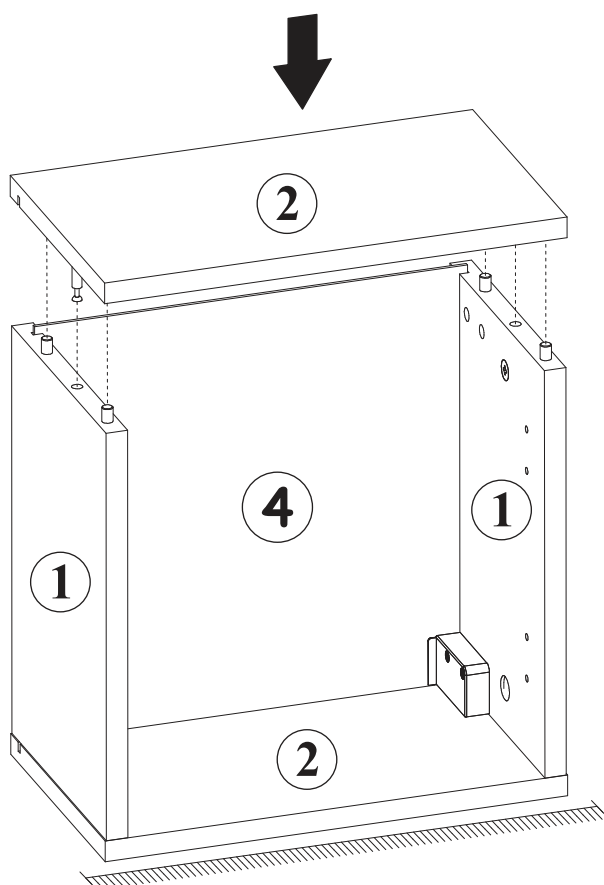
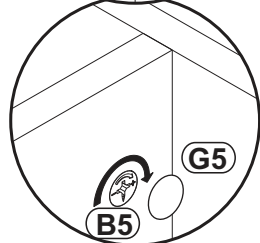
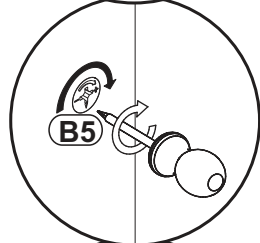
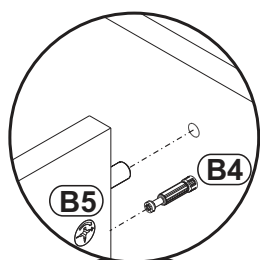
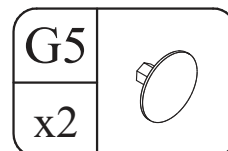
G5	
x2	



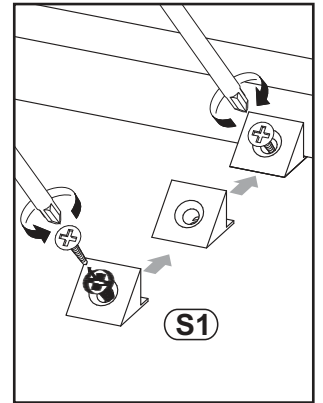
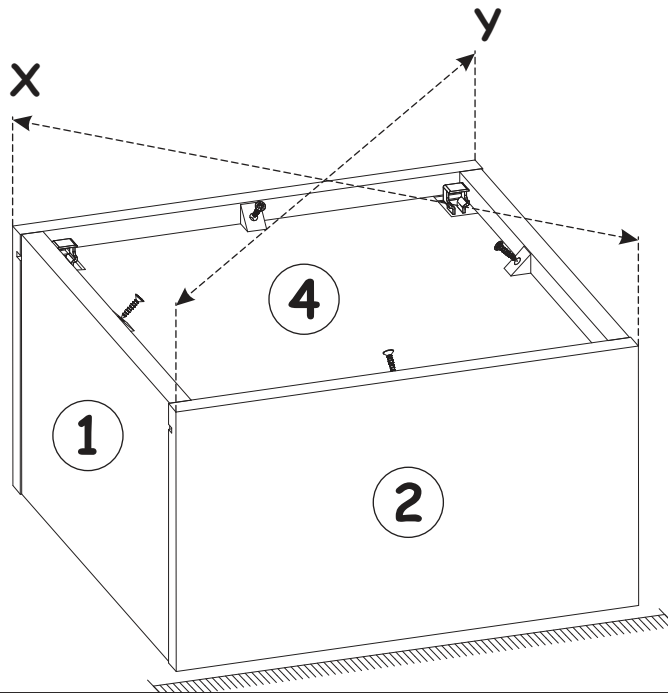
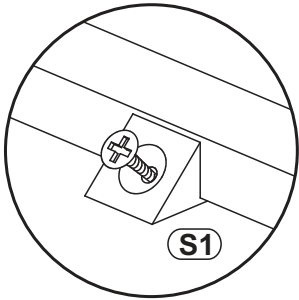
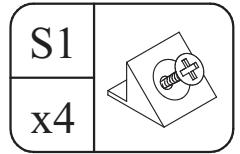
4



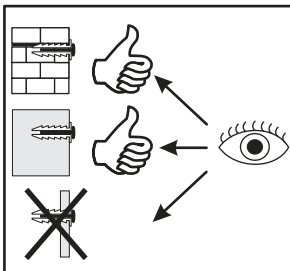
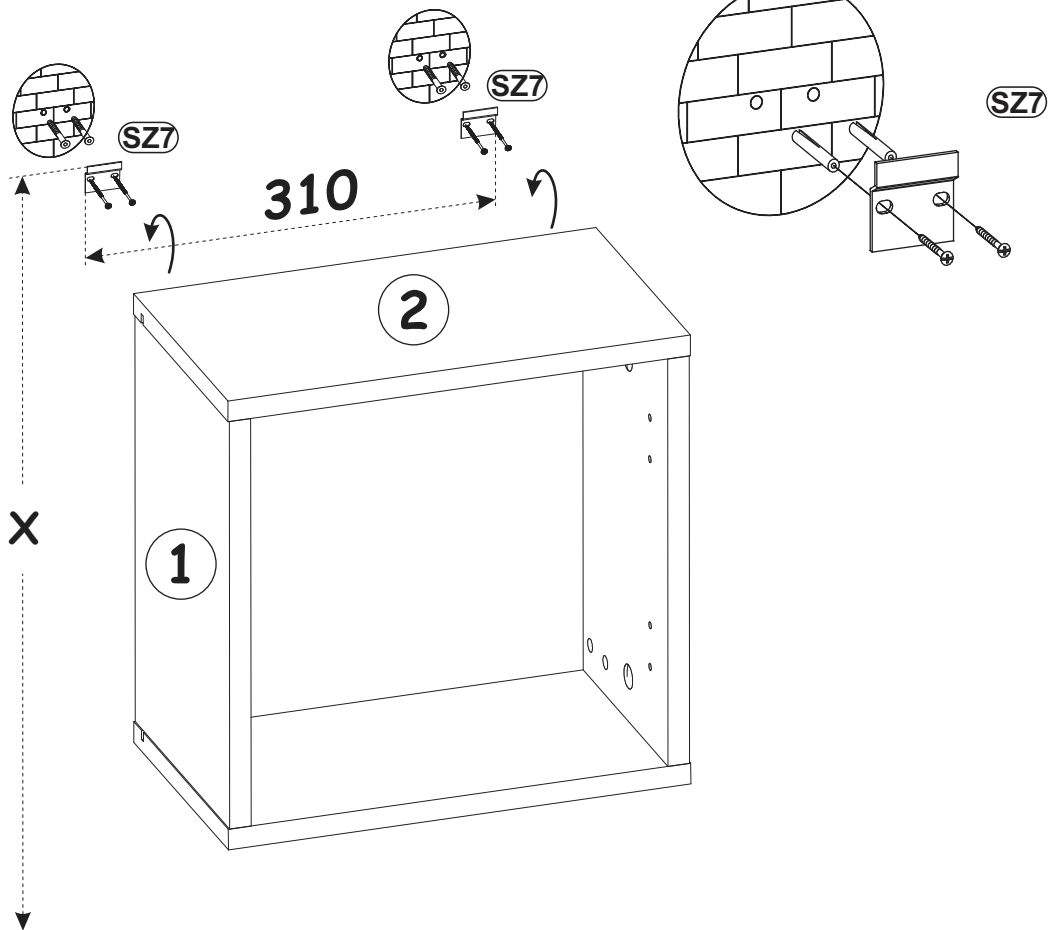
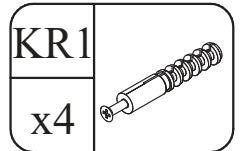
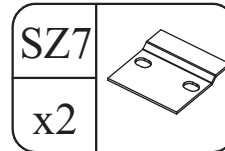
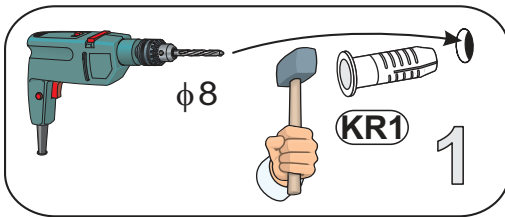
5



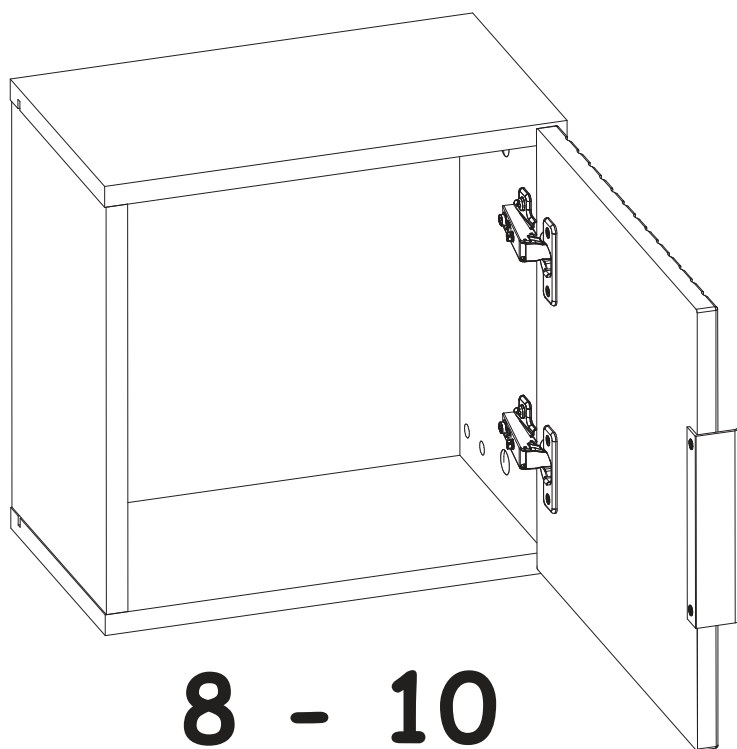
6



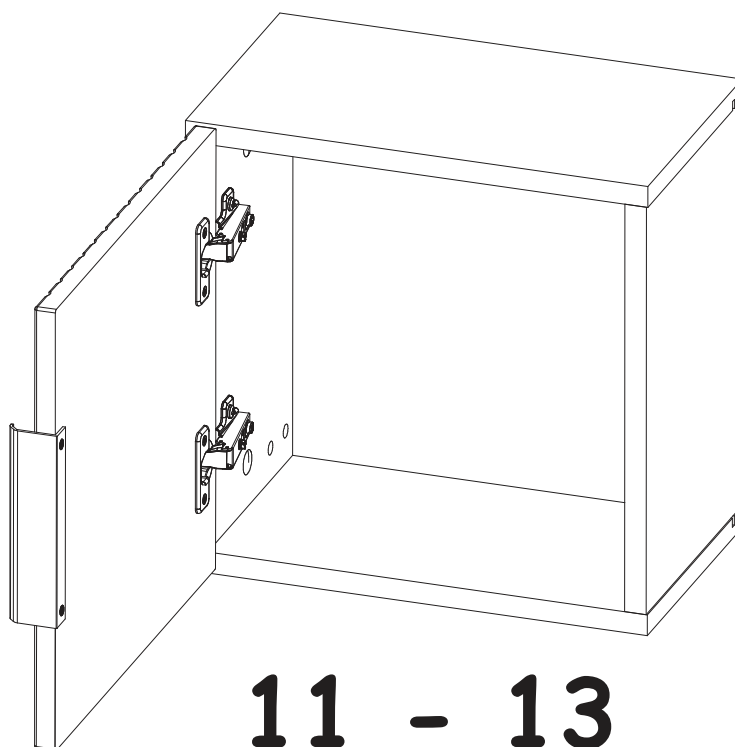
7






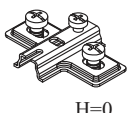


**8 - 10**

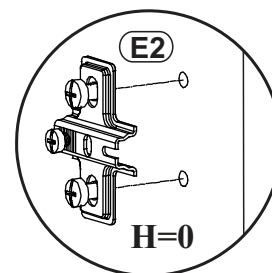
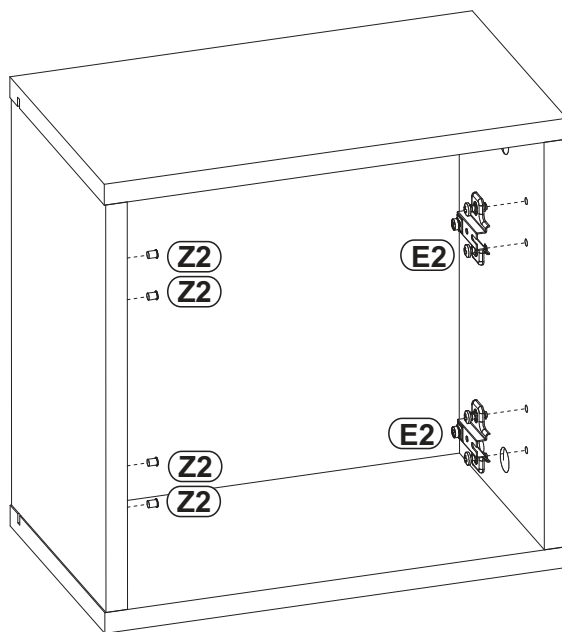
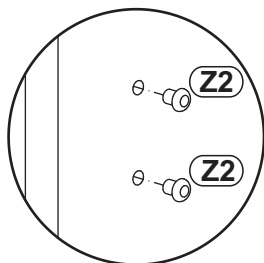
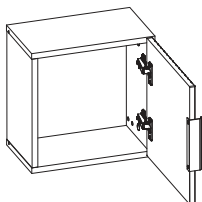


**11 - 13**

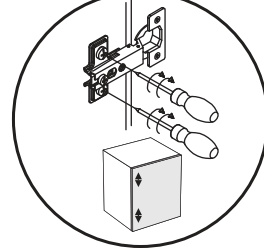
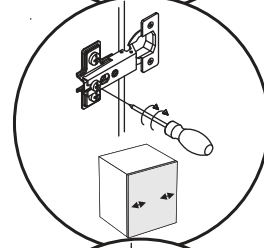
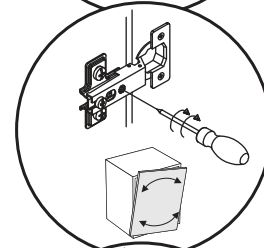
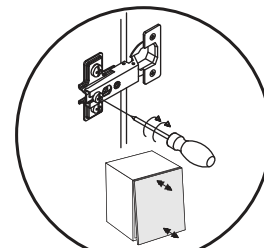
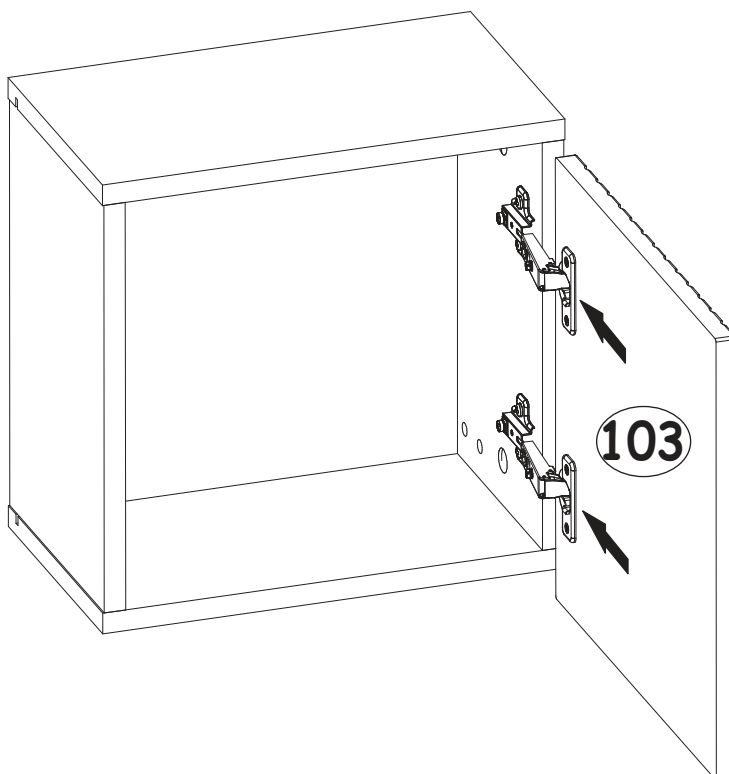
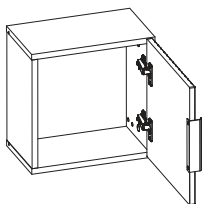
XILO  
SZAFKA 1D 83-01-B-1D

Z2	 Ø5	E2	 H=0
x4		x2	

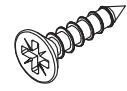
8




9

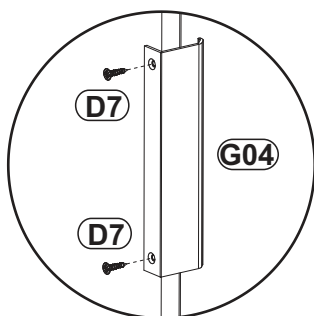
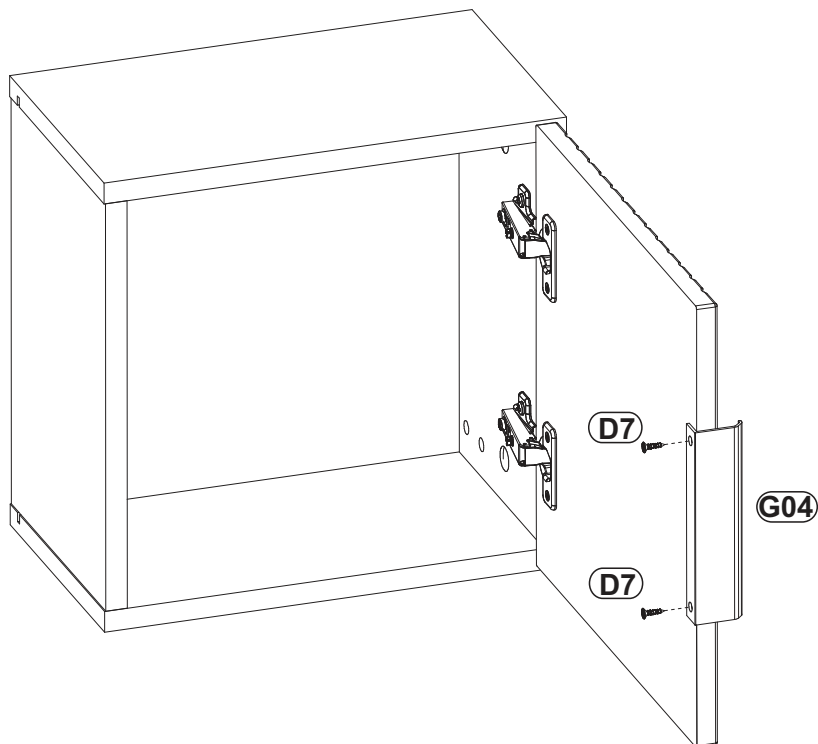
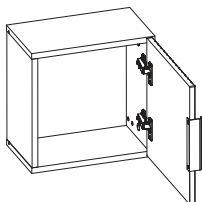


XILO  
SZAFKA 1D 83-01-B-1D

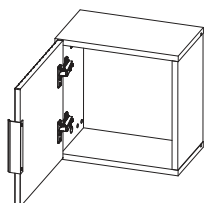
D7	
x2	US03x16


G04	
x1	L-148mm.

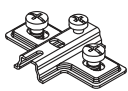
10

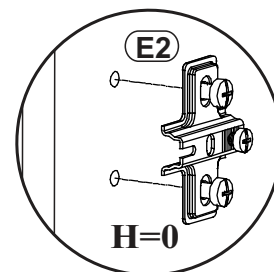
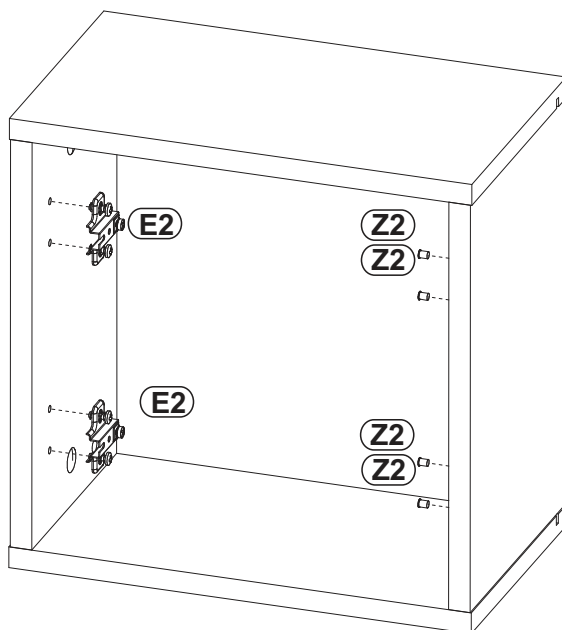
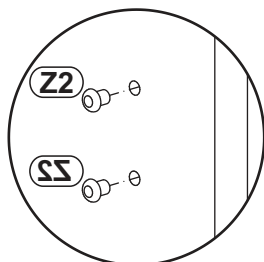


11



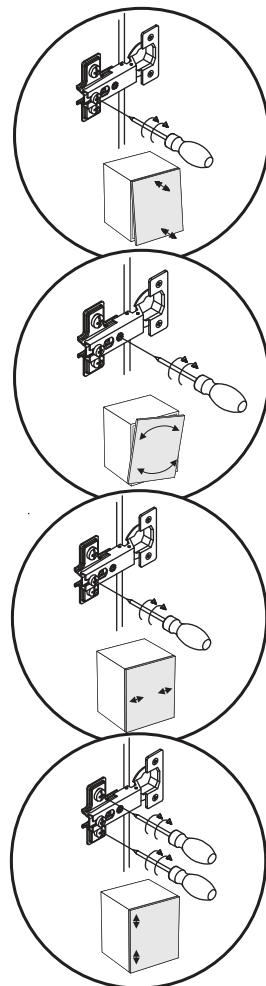
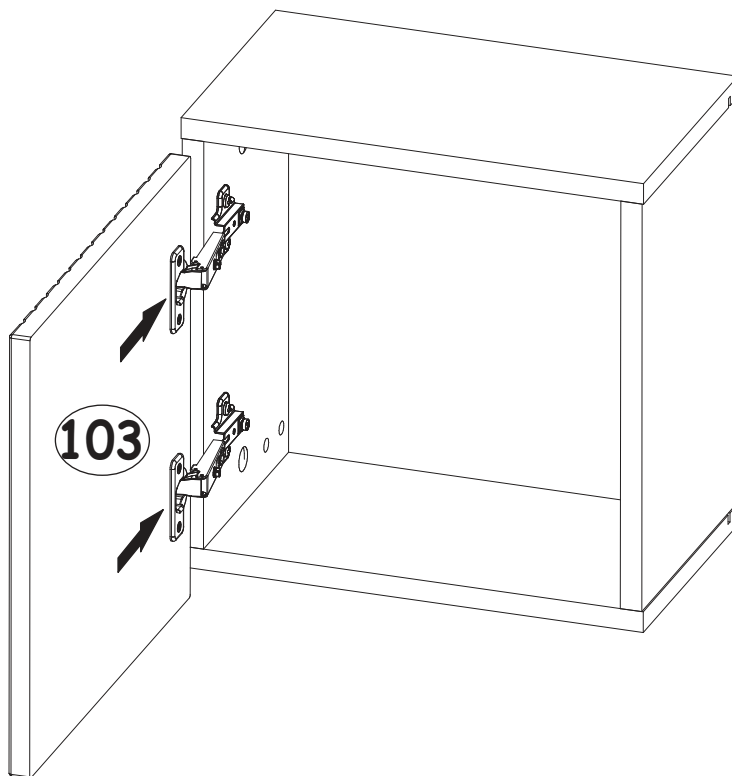
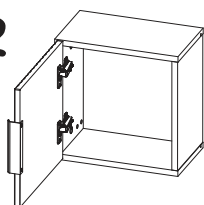
Z2	
x4	Ø5

E2	
x2	H=0

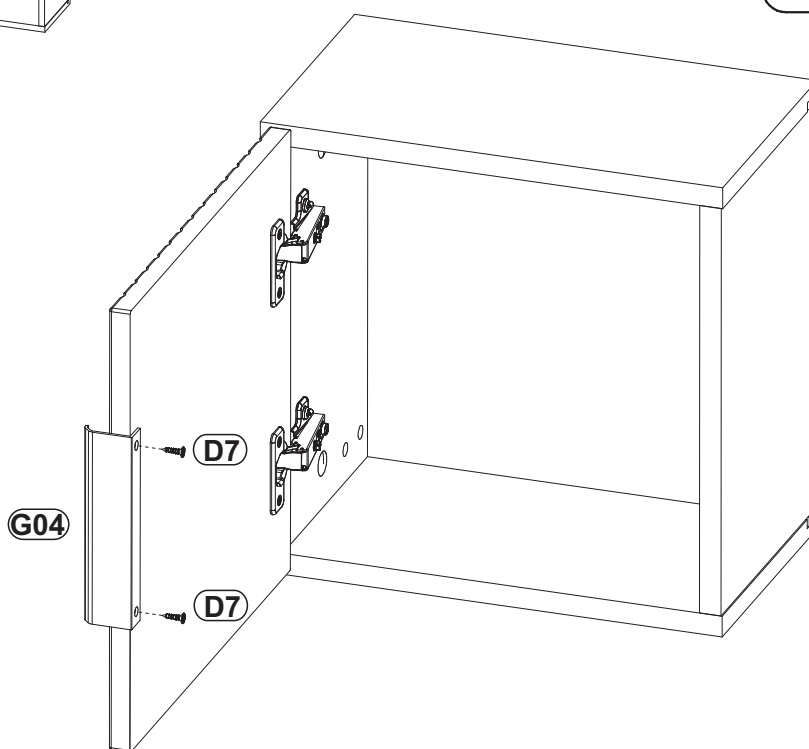
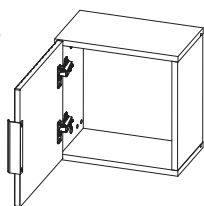


XILO  
SZAFKA 1D 83-01-B-1D

12



13



D7		G04	
x2	USØ3x16	x1	L-148mm.

