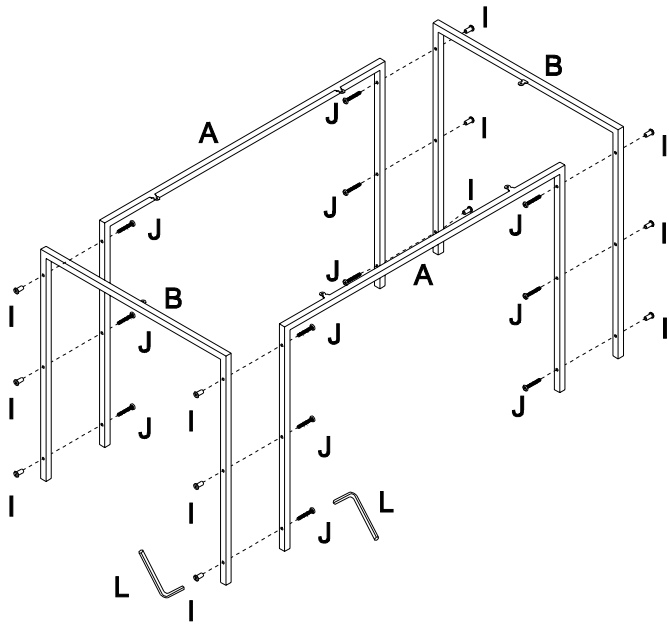


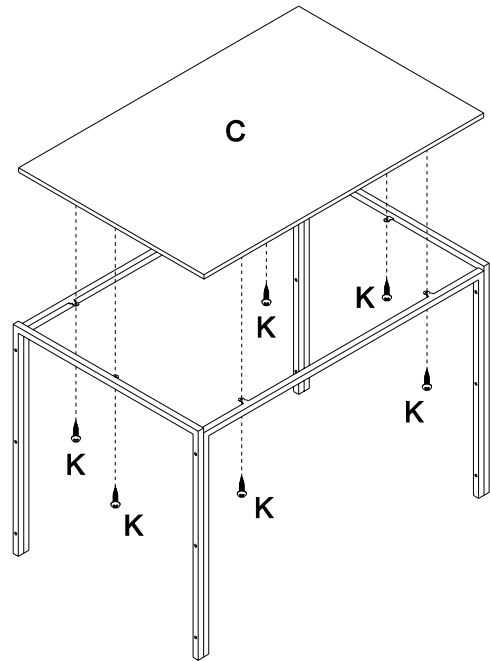
# INSTRUCCIONES DE MONTAJE

SYDNEY CONJ MES + 4SIL

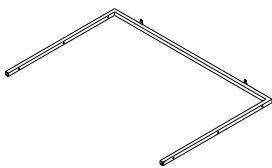
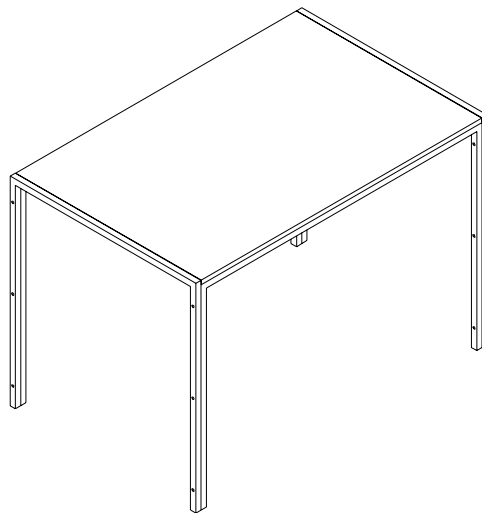
step 1



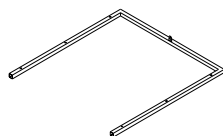
step 2



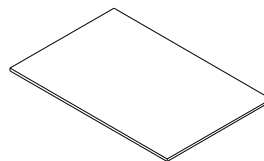
step 3



A×2PCS



B×2PCS



C×1PC



M6×17mm  
I×12PCS



M6×30mm  
J×12PCS

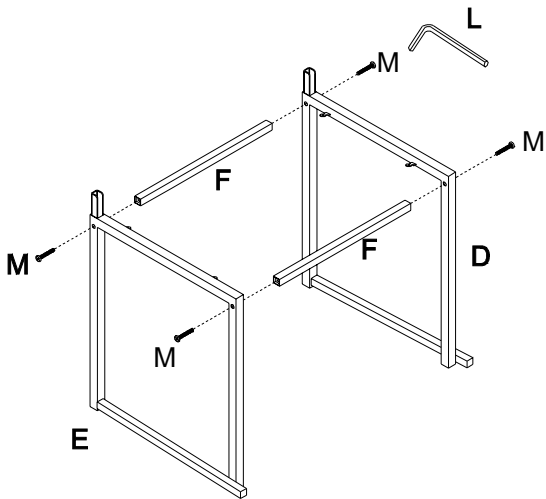


M4×12mm  
K×6PCS



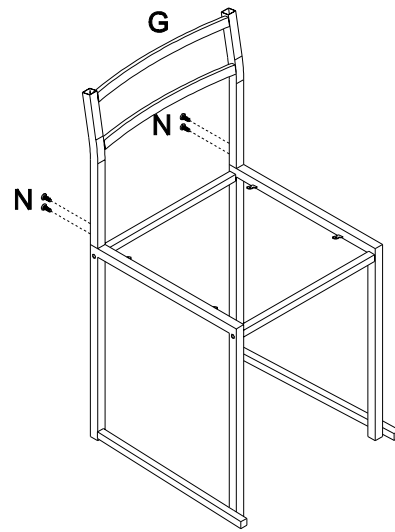
M6  
L×2PCS

step 1



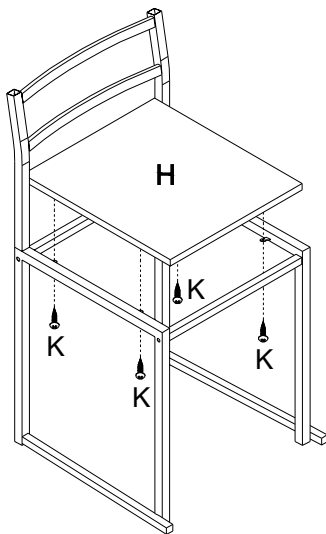
**×4**

step 2



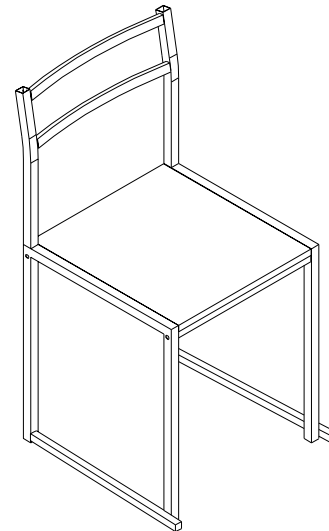
**×4**

step 3

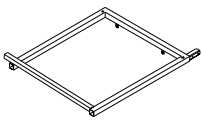


**×4**

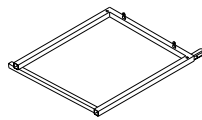
step 4



**×4**



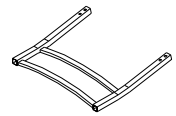
**D×4PCS**



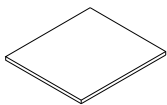
**E×4PCS**



**F×8PCS**



**G×4PCS**



**H×4PCS**



**M6×40mm  
M×16PCS**



**M6×10mm  
N×16PCS**



**M4×12mm  
K×16PCS**



**M6  
L×1PC**